

AMANO®

PIX-3000x

Series Electronic Time Recorder

Service Parts List



Amano Cincinnati Inc. reserves the right to make equipment changes and improvements that may not be reflected in this document. Portions of this document may have been updated to include the latest hardware or firmware version, if applicable.

Proprietary Notice

This document contains proprietary information and such information may not be reproduced in whole or in part without written permission from:

Amano Cincinnati, Inc.
140 Harrison Avenue
Roseland, New Jersey, 07068

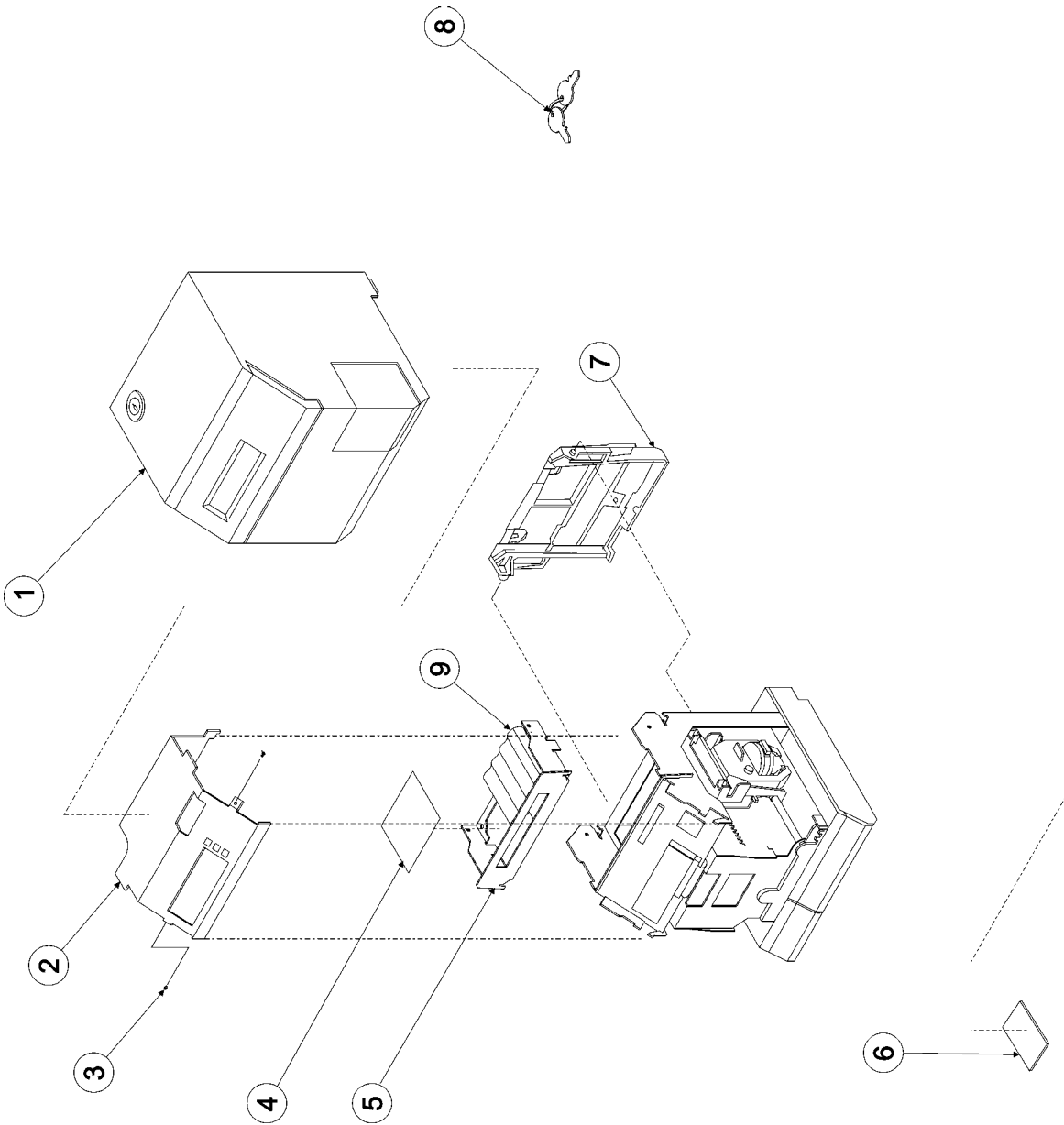
For more information about Amano's complete line of products, visit our web site at:

www.amano.com

Table of Contents

Total Assembly	1
Cover Case Assembly	3
PCB Cover Assembly	5
Main Assembly	7
Total Printer Frame Assembly	9
Base Case Assembly	11

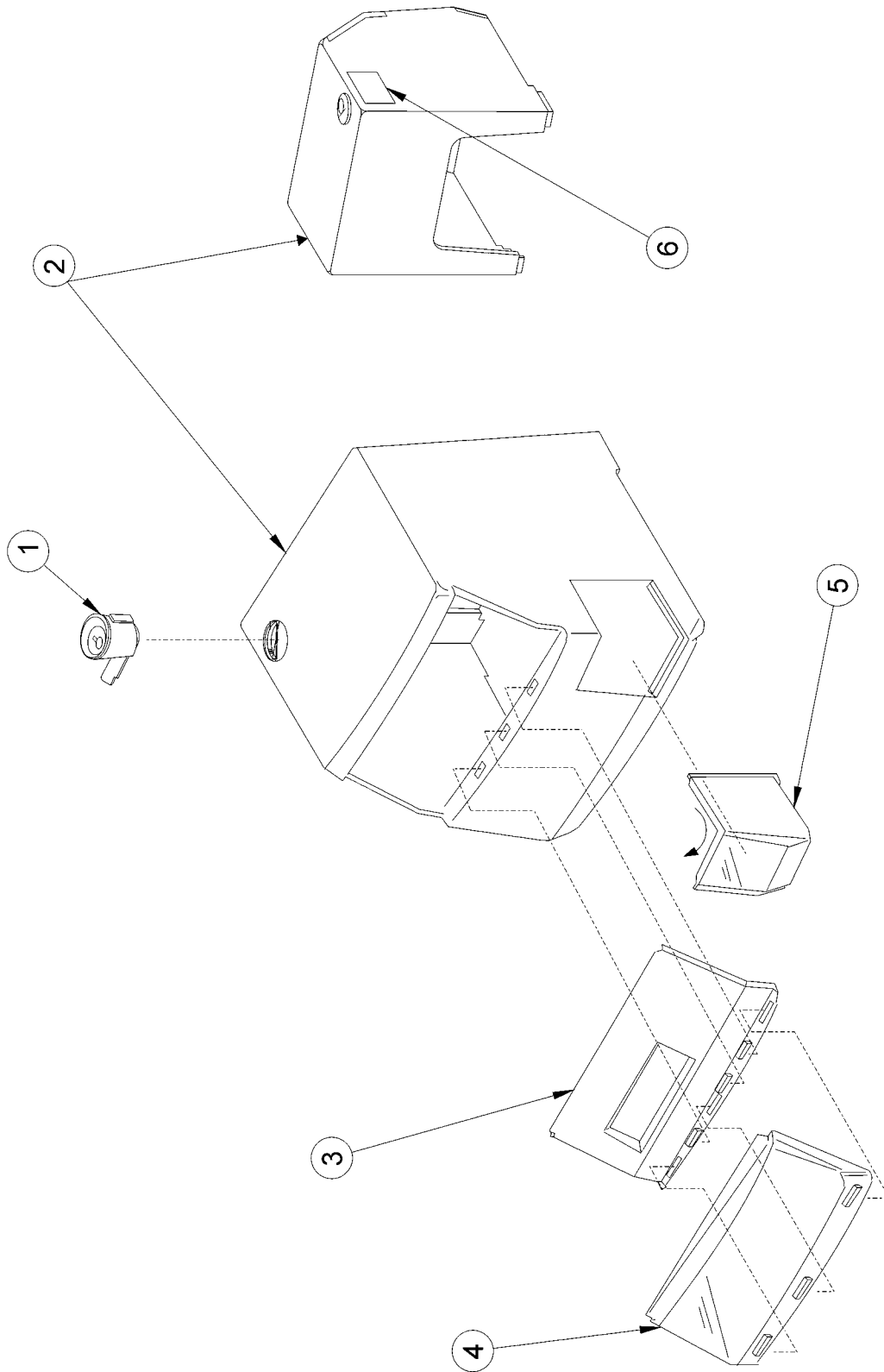
Total Assembly



Total Assembly

NO.	PART NO.	DESCRIPTION	QTY. PER
1	AJR-164950	COVER CASE ASSEMBLY (PIX-3000)	1
2	AJR-171150	PCB COVER ASSEMBLY	1
3	STG-3004	SCREW D=3mm, L=4mm	2
4	AJR-164000	INSULATION SHEET	1
5	AJR-164050	BATTERY FRAME ASSEMBLY	1
6	ACC-300063	SERIAL NO. LABEL UL*CSA	1
7	AJR-133002	WALL MOUNTING PLATE	1
8	C-459150	KEY ASSEMBLY (#700 KEY)	1
9	AJR-111000	BATTERY ASSEMBLY FOR PIX-3000	1

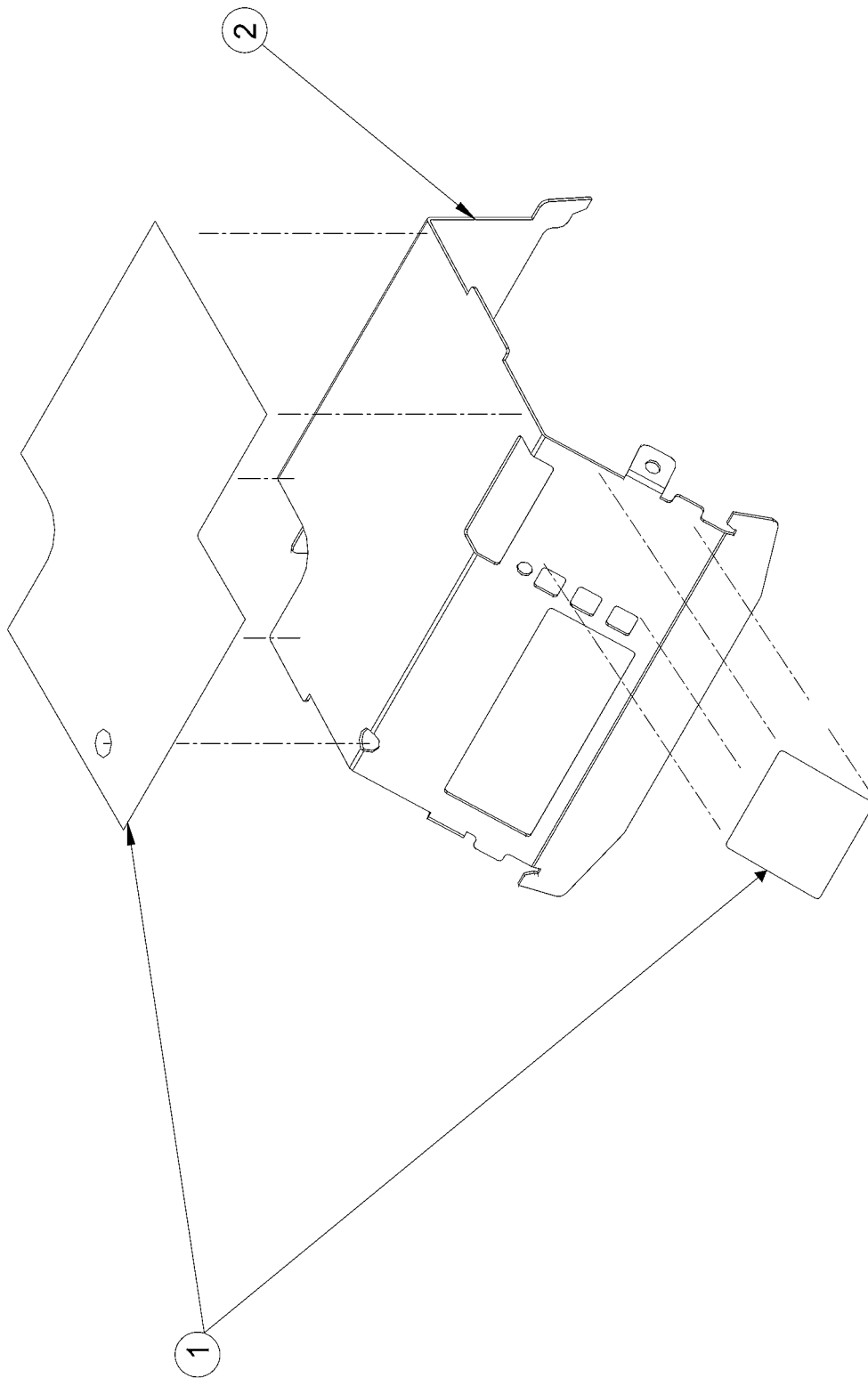
Cover Case Assembly



Cover Case Assembly

NO.	PART NO.	DESCRIPTION	QTY. PER
1	AJR-130851	LOCK ASSEMBLY	1
2	AJR-130101	COVER CASE: SIDE PRINTER	1
3	AJR-178200	DISPLAY PANEL (NASDAQ)	1
4	AJR-130400	DISPLAY WINDOW	1
5	AJR-130501	PRINTING WINDOW	1
6	C-413500	CAUTION LABEL	1

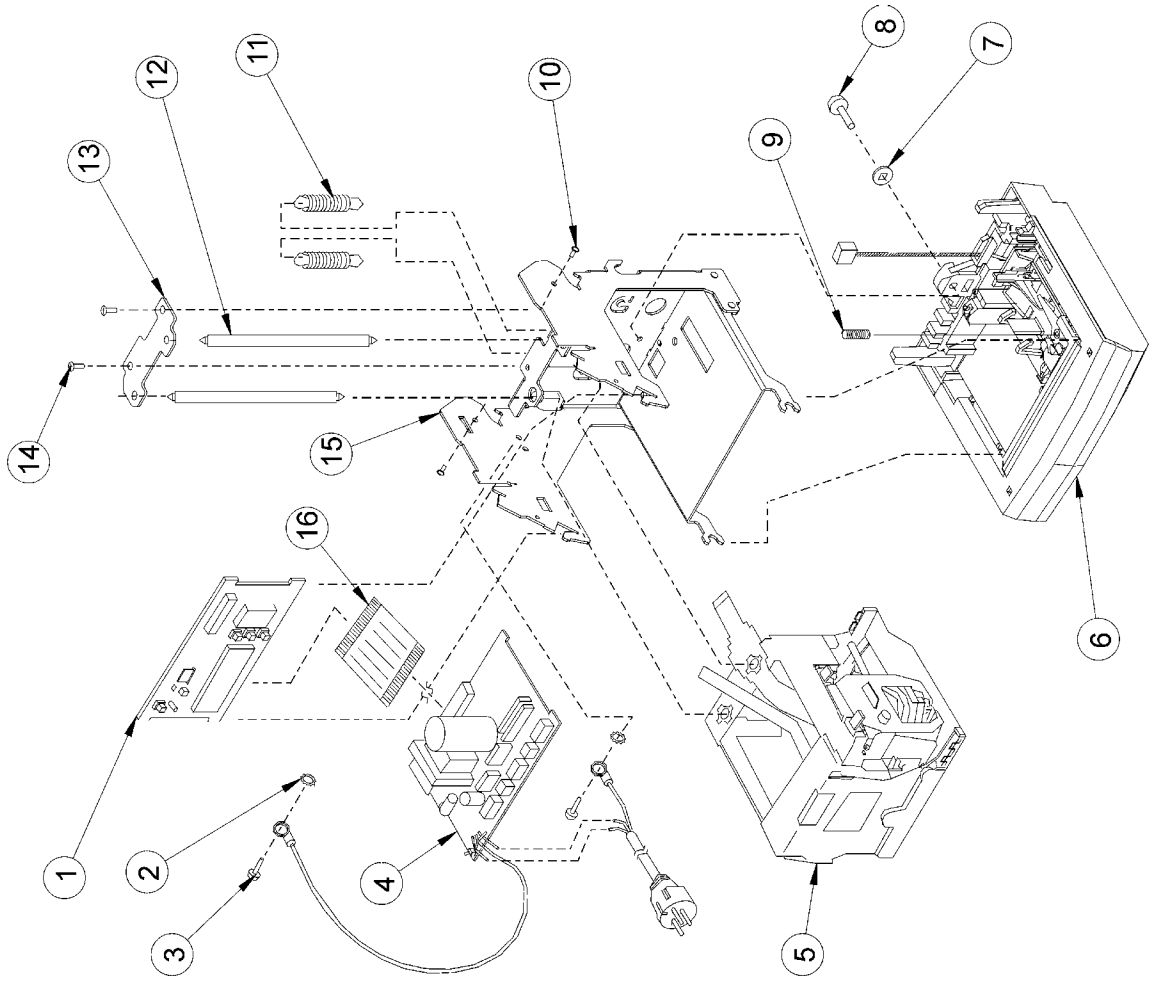
PCB Cover Assembly



PCB Cover Assembly

NO.	PART NO.	DESCRIPTION	QTY. PER
1	AJR-110701	SET UP SHEET	1
2	AJR-110603	PCB COVER	1

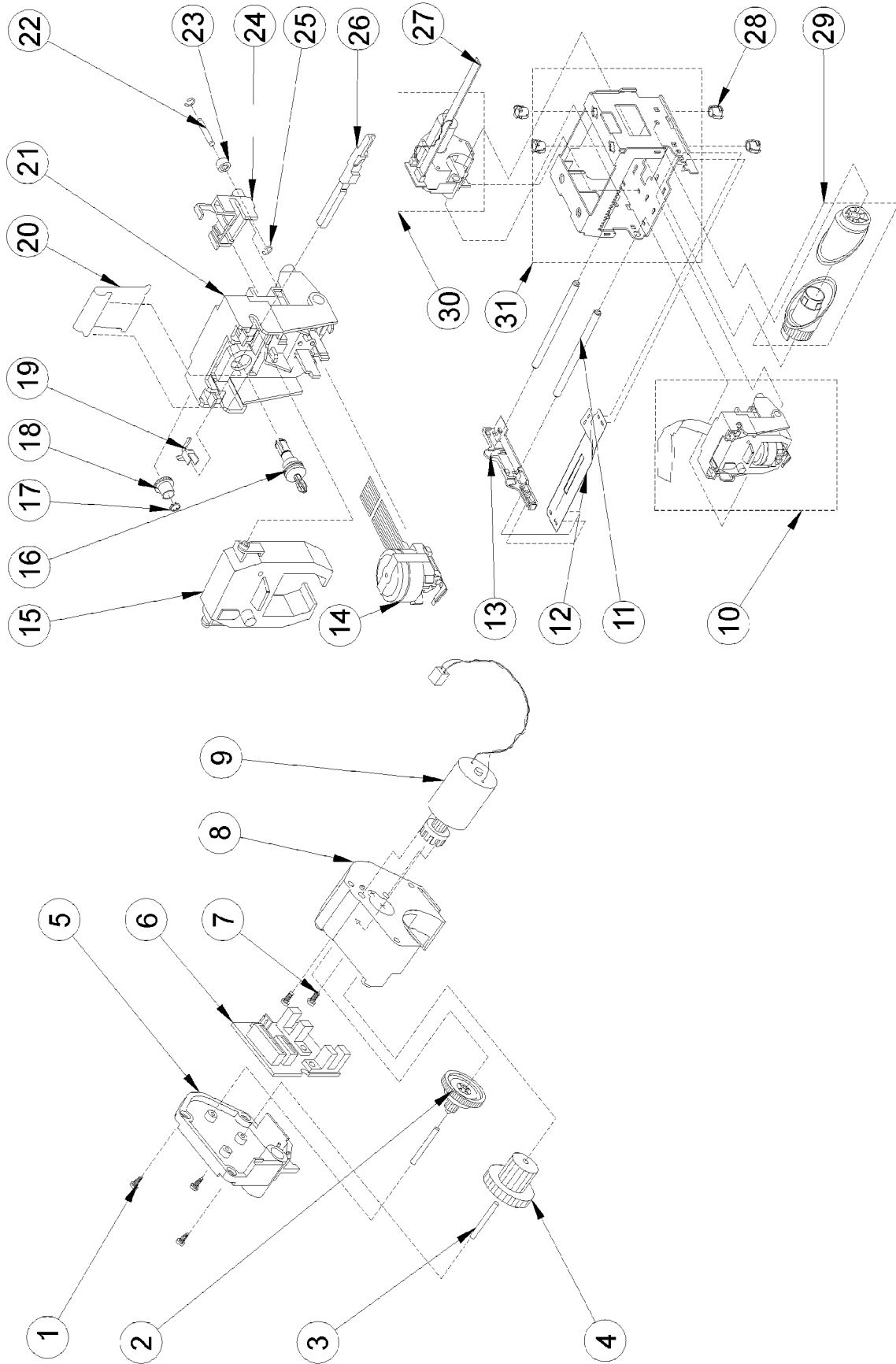
Main Assembly



Main Assembly

NO.	PART NO.	DESCRIPTION	QTY. PER
1	AJR-170055	APIC-1B CPU PCB ASSEMBLY (DIPI-10P)	1
2	WIB-4004	WASHER T=4MM, l=4MM	2
3	UTJ-4005	TAP SCREW D-4-MM, L-.5MM	2
4	AJR-115250	APIP POWER PCB ASSEMBLY (USA)	1
5	AJR-170750	TOTAL PRINTER FRAME ASSEMBLY	1
6	AJR-164850	BASE CASE ASSEMBLY(PIX3000)	1
7	WDG-4008	WASHER STEL. T-4.MM, l-.8MM	1
8	UTJ-4010	TAP SCREW D-4MM, L-10MM	1
9	AJR-164400	SENSOR LEVER SPRING	1
10	RTB-305500	PLASTIC RIVET	2
11	AJR-164200	PAPER HOLDING SPRING	2
12	AJR-122301	PRINTER GUIDE SHAFT	2
13	AJR-122400	ADJUSTMENT PLATE	1
14	IBG-4008	CROSSHEAD SCREW WWASHER	2
15	AJR-110150	MAIN FRAME ASSEMBLY	1
16	AJR-140300	FLAT CABLE - SMCD 30X40BD	1

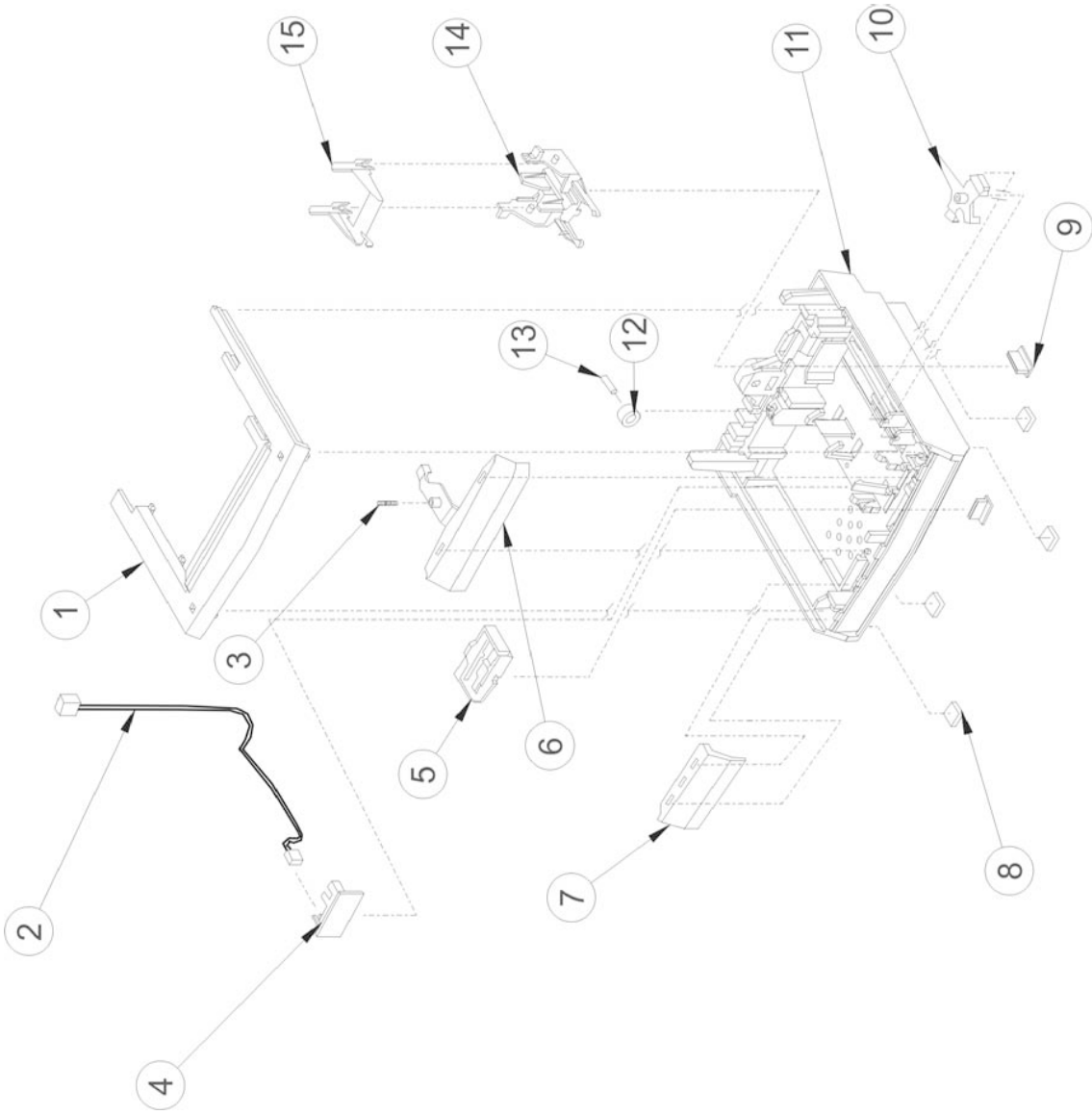
Total Printer Frame Assembly



Total Printer Frame Assembly

NO.	PART NO.	DESCRIPTION	QTY. PER
1	UFJ-30142V	SELF TAPPING SCREW	3
2	AJR-120901	GEAR (1)	1
3	SR-212301	MIDDLE GEAR SHAFT	2
4	AJR-121000	GEAR (2)	1
5	AJR-121201	GEAR BOX (LEFT)	1
6	AJR-170252	MOTOR PCB APIM-3A ASSEMBLY	1
7	IBG-3006	CROSS HEAD SCREW W/WASHER	2
8	AJR-120600	GEAR BOX (RIGHT)	1
9	AJR-120870	MOTOR ASSEMBLY SIDE PRINTER	1
10	AJR-121602	PRINTER ASSEMBLY (PIX-3000)	1
11	AJR-121700	PRINTER HEAD SHAFT	2
12	AJR-122200	RIBBON SHIELD	1
13	AJR-122101	UPPER GUIDE FRAME	1
14	CE-127004	DOT PRINTER HEAD ASSEMBLY	1
15	CE-315101	RIBBON CASSETTE (SINGLE)	1
16	SR-213201	RIBBON ADVANCE SHAFT	1
17	IR-322501	CLUTCH RING	1
18	SR-213301	RIBBON ADVANCE GEAR	1
19	AJR-122601	KNOB	1
20	SR-220201	RIBBON CARTRIDGE HLD.R. SPR.	1
21	SR-382111	CARRIAGE, SIDE PRINTER (PIX-3000)	1
22	AJR-121800	CAM FOLLOWER SHAFT	1
23	AJR-122700	PLASTIC ROLLER	1
24	AJR-122000	CAM FOLLOWER BLOCK	1
25	CAB-2004	CLIP-ZINC T-2.MM, I-.4MM	2
26	SR-220001	COLOR CHANGE SLIDER	1
27	AJR-121300	FLAT CABLE (SUMI-CARD)	1
28	AJR-120400	SLIDE BUSHING	4
29	AJR-121450	CYLINDRICAL CAM ASSEMBLY	1
30	AJR-164700	GEAR BOX ASSEMBLY	1
31	AJR-120152	PRINTER FRAME ASSEMBLY	1

Base Case Assembly



Base Case Assembly

NO.	PART NO.	DESCRIPTION	QTY. PER
1	AJR-132601	GUIDE PLATE	1
2	AJR-141450	SPB-1A-C CABLE ASSEMBLY	1
3	AJR-164300	PRINT BAR SPRING	1
4	AJR-170351	PAPER DETECT PCB APID-1A	1
5	AJR-131300	SLIDE LEVER => SIDE PRINTER	1
6	AJR-132101	PRINT BAR (PIX3000)	1
7	AJR-132402	COVER PLATE	1
8	SR-207101	RUBBER FOOT	4
9	AJR-132700	SLIDE CAP, SIDE PRINTER	2
10	AJR-131800	SENSOR LEVER	1
11	AJR-131204	CASE BASE	1
12	FR-315200	BEARING	1
13	AJR-132800	ROLLER SHAFT	1
14	AJR-131501	SENSOR FRAME	1
15	AJR-131701	PAPER DETECTION LEVER	1

Notes



Central Time Clock

Since 1931

5-23 50th Avenue

Long Island City, NY 11101

P: 718-784-4900 F: 718-472-9491

www.centraleimeclock.com