

AMANO®

MRX-35

Electronic Time Recorder

Service Parts List



Amano Cincinnati Inc. reserves the right to make equipment changes and improvements that may not be reflected in this document. Portions of this document may have been updated to include the latest hardware or firmware version, if applicable.

Proprietary Notice

This document contains proprietary information and such information may not be reproduced in whole or in part without written permission from:

Amano Cincinnati, Inc.
140 Harrison Avenue
Roseland, New Jersey, 07068

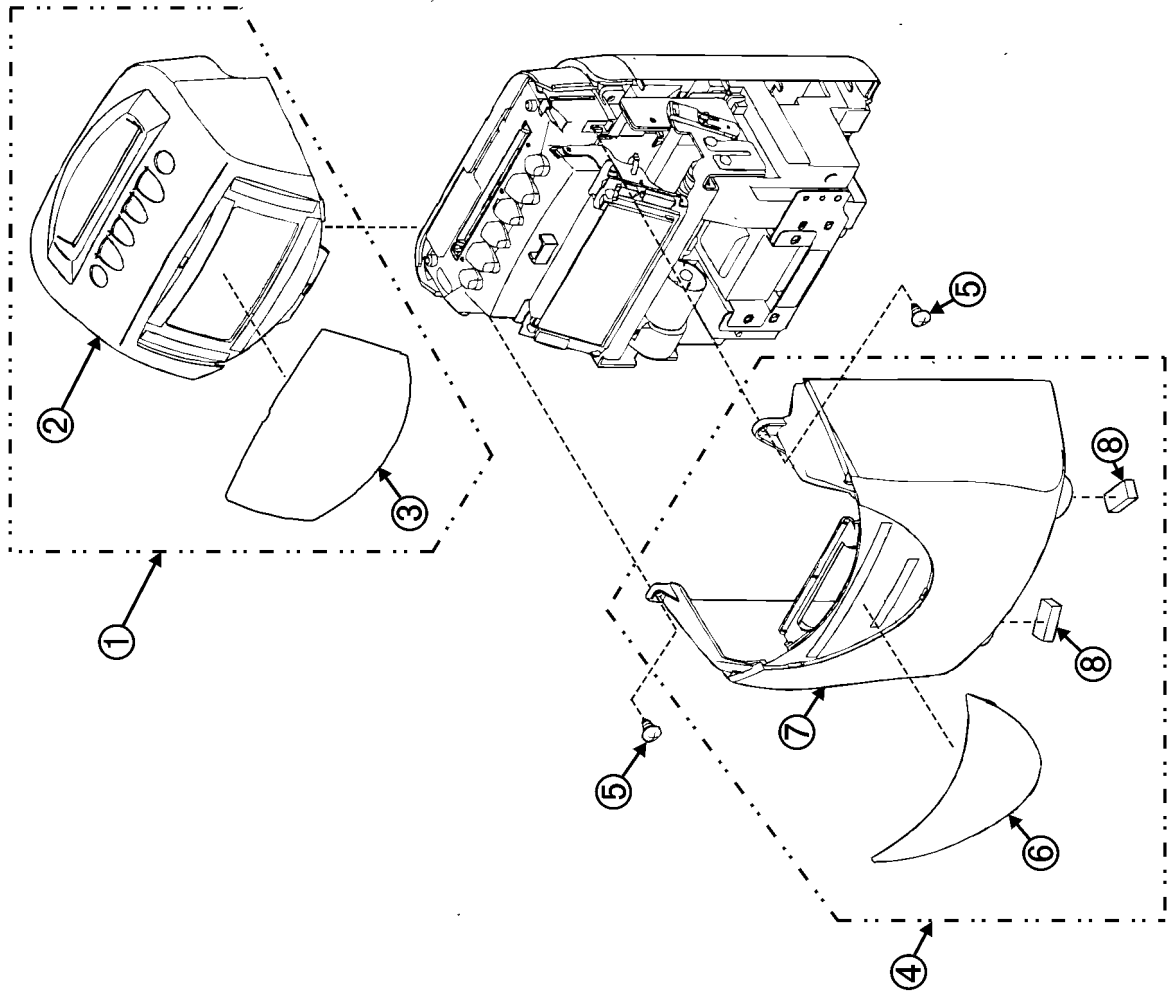
For more information about Amano's complete line of products, visit our web site at:

www.amano.com

Table of Contents

Case Section (1)	1
Case Section (2)	3
Case Section (3)	5
Printer Section (1)	7
Printer Section (2)	9
Printer Section (3)	11
Accessories	13
Notes	15

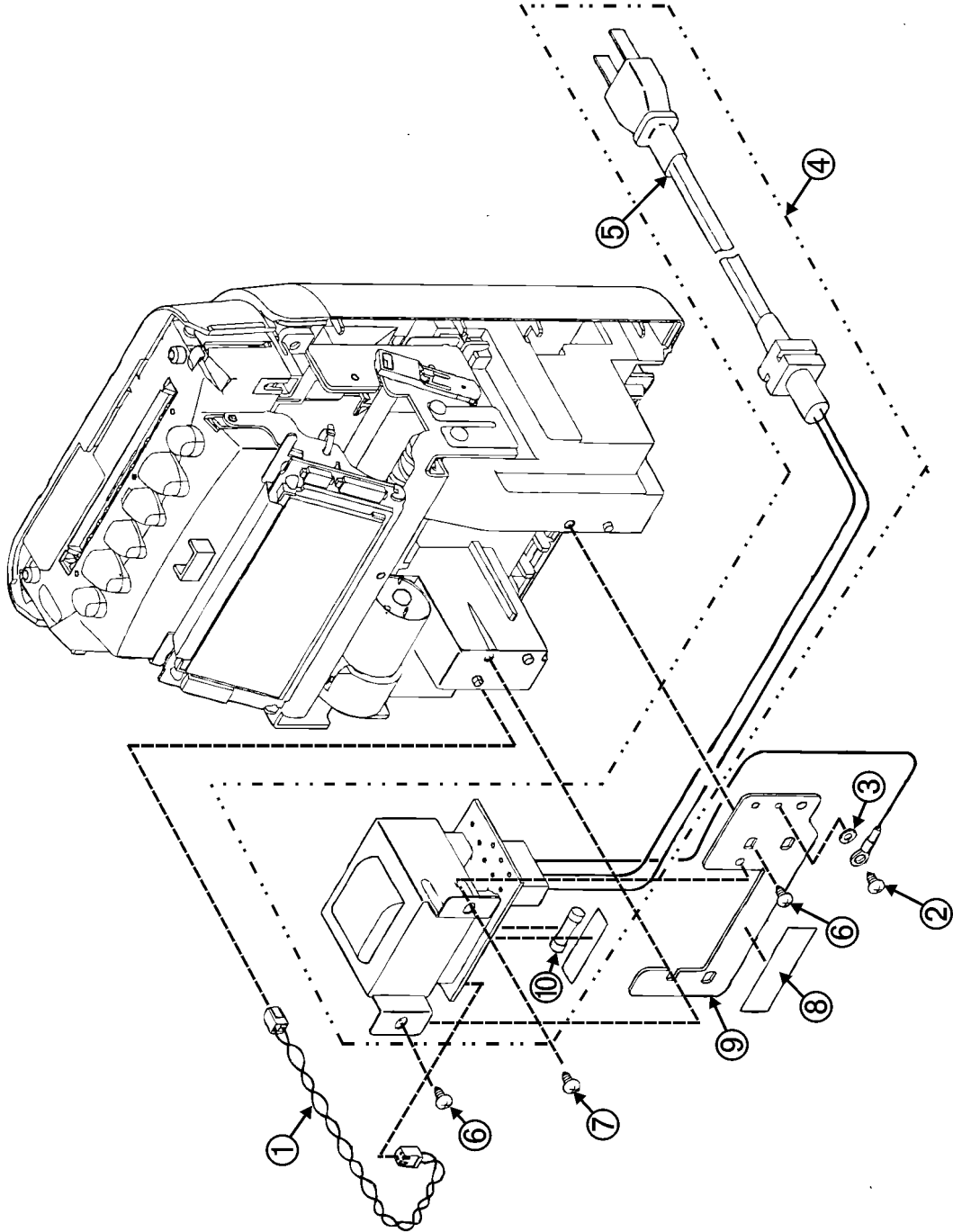
Case Section (1)



Case Section (1)

No.	Part No.	Description	Qty. Per
1	LE-124050	COVER SUB ASSEMBLY FOR MRX-35	1
2	LE-124200	COVER FOR MRX-35	1
3	LE-124100	UPPER WINDOW GLASS FOR MRX-35	1
4	LE-129050	FRONT CASE ASSEMBLY FOR MRX-35	1
5	UFJ-30122V	PAN HEAD PLASTIC - TAPPING SCREW, D = 3mm, L = 12	2
6	LE-129101	LOWER PANEL FOR MRX-35	1
7	LE-129200	FRONT CASE FOR MRX-35	1
8	SR-340800	RUBBER BOOT	2

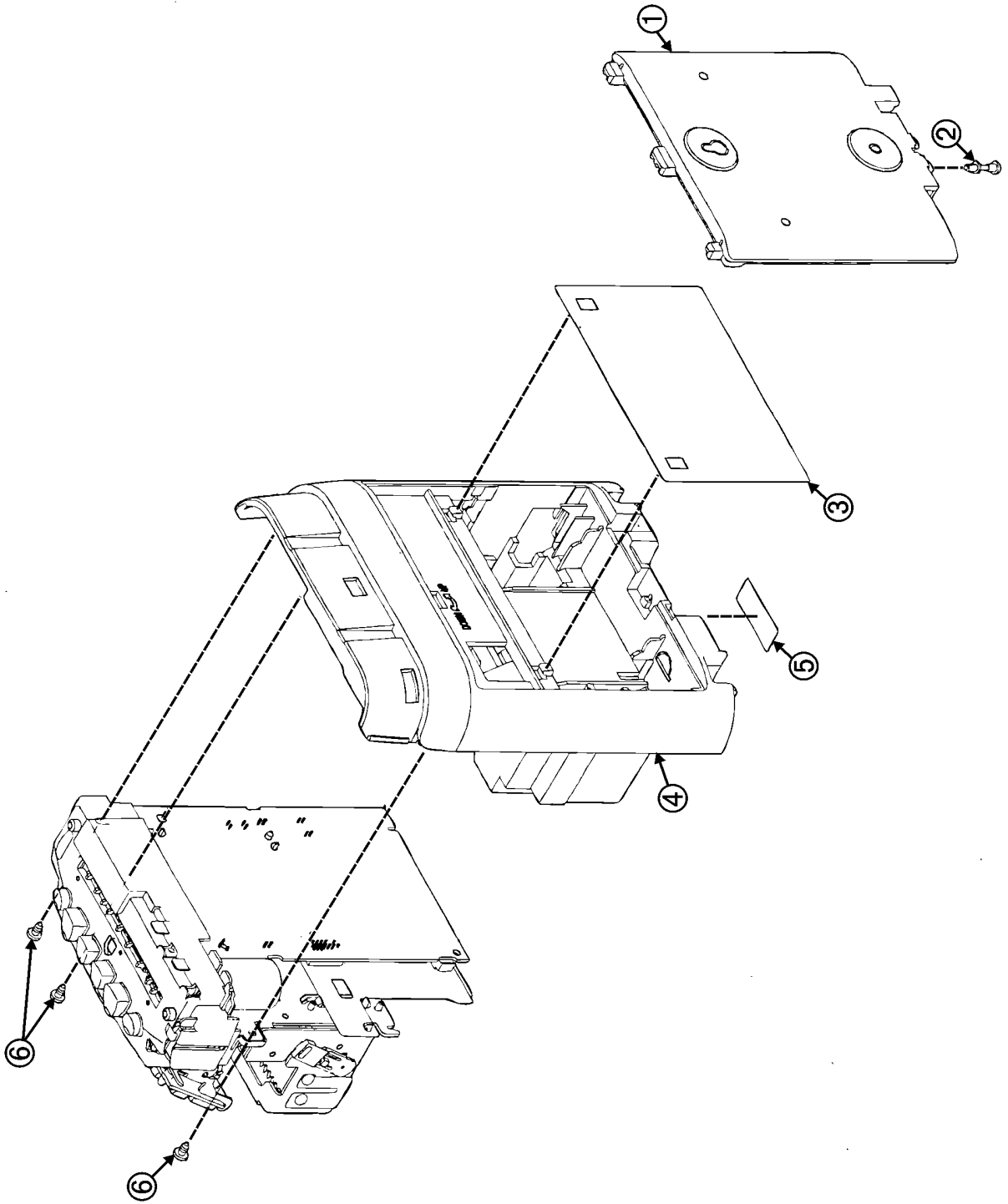
Case Section (2)



Case Section (2)

No.	Part No.	Description	Qty. Per
1	LE-141050	JUNCTION CORD SUB-ASSEMBLY	1
2	UTJ-300699	FT SCREW, D = 3mm, L = 6mm	1
3	WEV-300699	GROUNDING WASHER, D = 3mm, H = 0.6mm	1
4	LE-140150	TRANS POWER CORD SUB-ASSEMBLY	1
5	EPG-403860	POWER CORD	1
6	UFJ-40122V	SELF TAPPING SCREW, D = 4mm, L = 12mm	2
7	UFJ-400699	FT SCREW, D = 4mm, L = 6mm	1
8	C-160600	CAUTION SEAL	1
9	LE-141400	GROUND PLATE	1
10	EFS-200015	FUSE, 110 - 250V/500mA	1

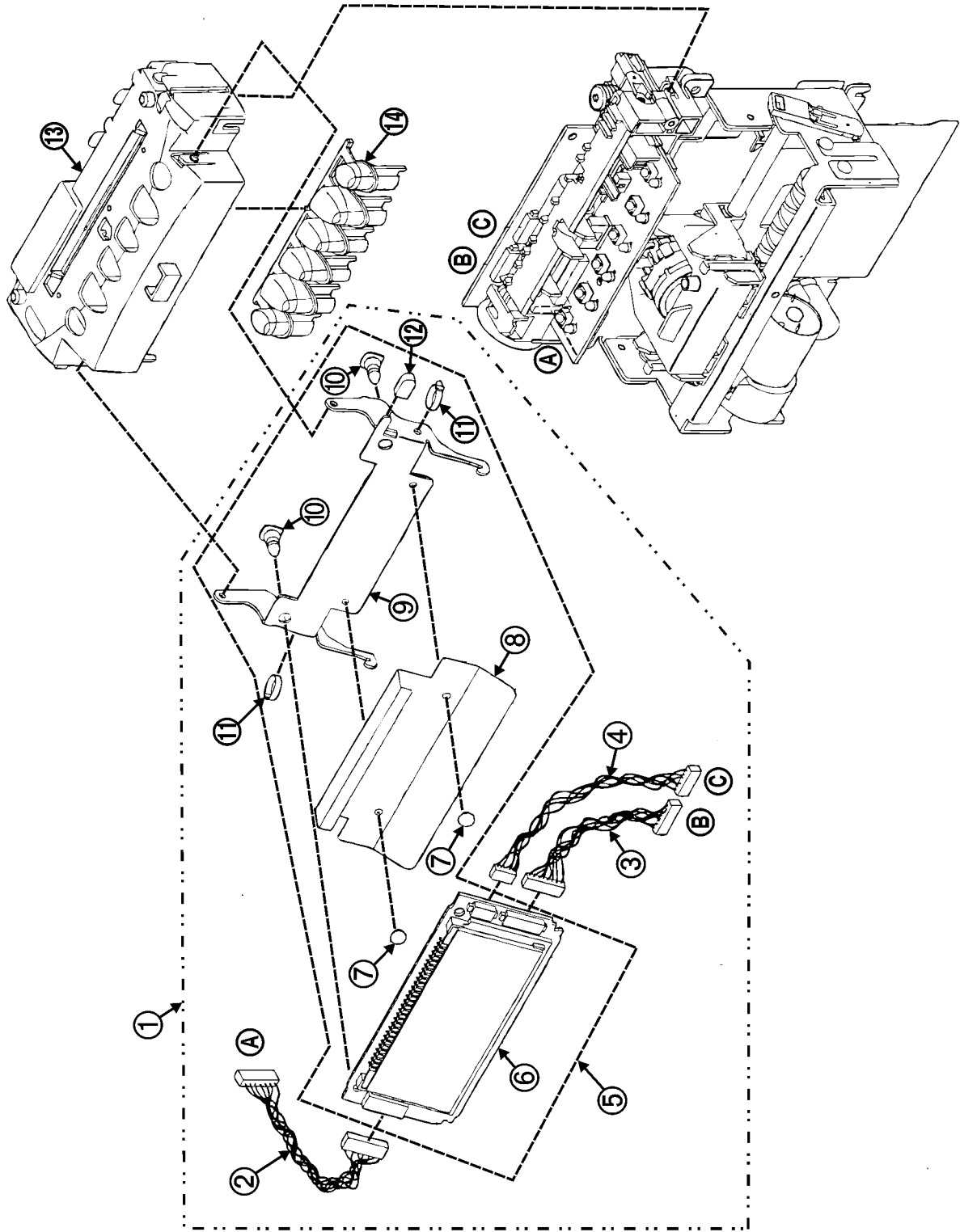
Case Section (3)



Case Section (3)

No.	Part No.	Description	Qty. Per
1	LE-137200	BACK PLATE FOR MRX-35	1
2	C-442900	LATCH	1
3	HS-430300	GUIDE PLATE	1
4	LE-137400	REAR CASE FOR MRX-35	1
5	C-413500	CAUTION LABEL	1
6	UFJ-40122V	SELF TAPPING SCREW, D = 4mm, L = 12mm	3

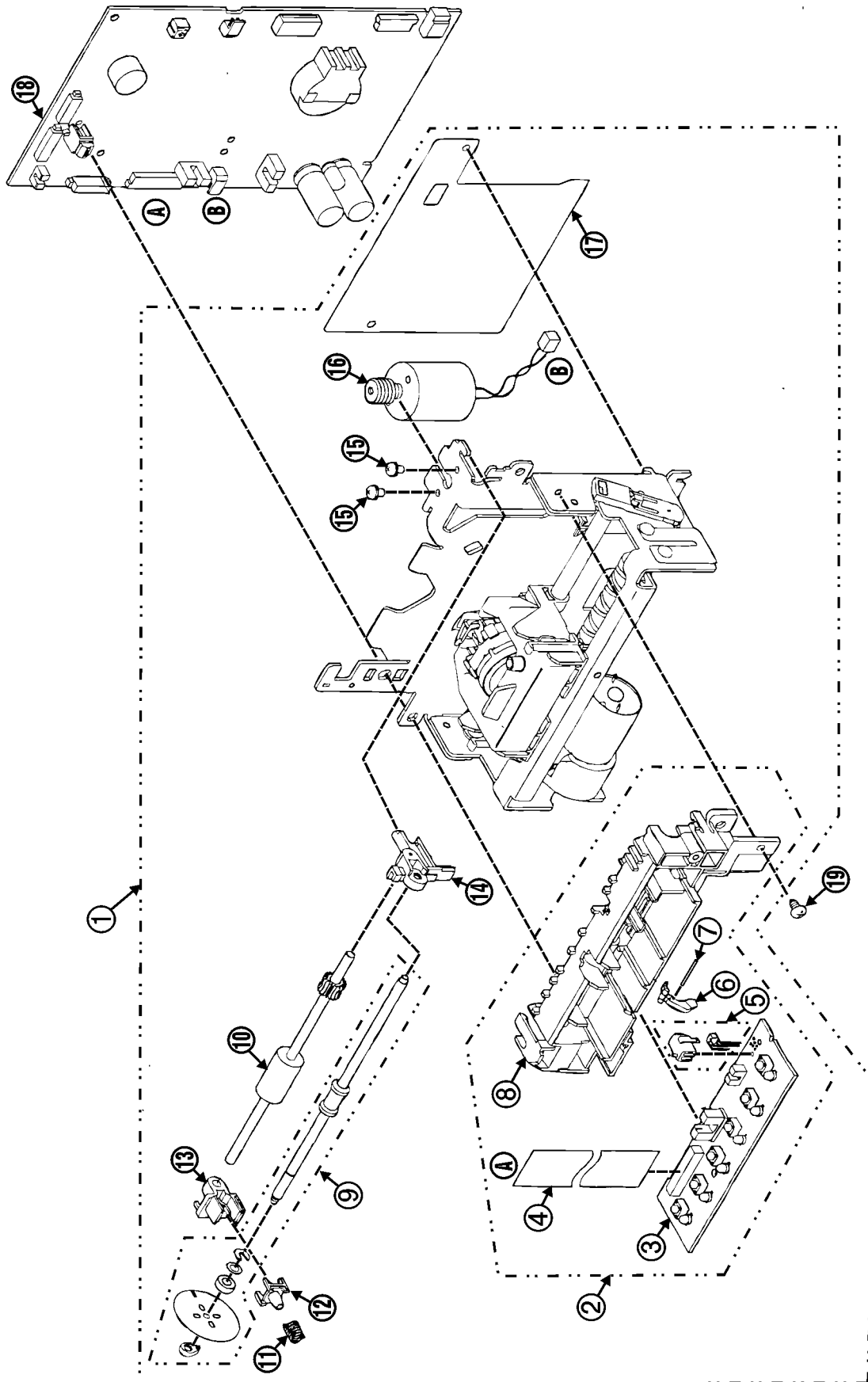
Printer Section (1)



Printer Section (1)

No.	Part No.	Description	Qty. Per
1	LE-145050	DISPLAY SUB-ASSEMBLY	1
2	HS-447150	CABLE SUB-ASSEMBLY	1
3	HS-447550	CABLE SUB-ASSEMBLY	1
4	LE-145450	CABLE SUB-ASSEMBLY	1
5	LE-145151	LCD BRACKET SUB-ASSEMBLY	1
6	LE-145750	AXD-1A MOUNTING LCD PCB ASSEMBLY	1
7	RTB-303500	PLASTIC RIVET	2
8	LE-145200	LCD INSULATING FILM	1
9	LE-145101	LCD BRACKET	1
10	EIS-600380	CIRCUIT BOARD SPACER	2
11	ECA-190011	WIRE TIE, CABLE CLAMP, CABLE TIE	2
12	ER-114600	PROTECTIVE CAP	1
13	LE-154200	KEY COVER FOR MRX-35	1
14	LE-150100	KEY SWITCH FOR MRX-35	1

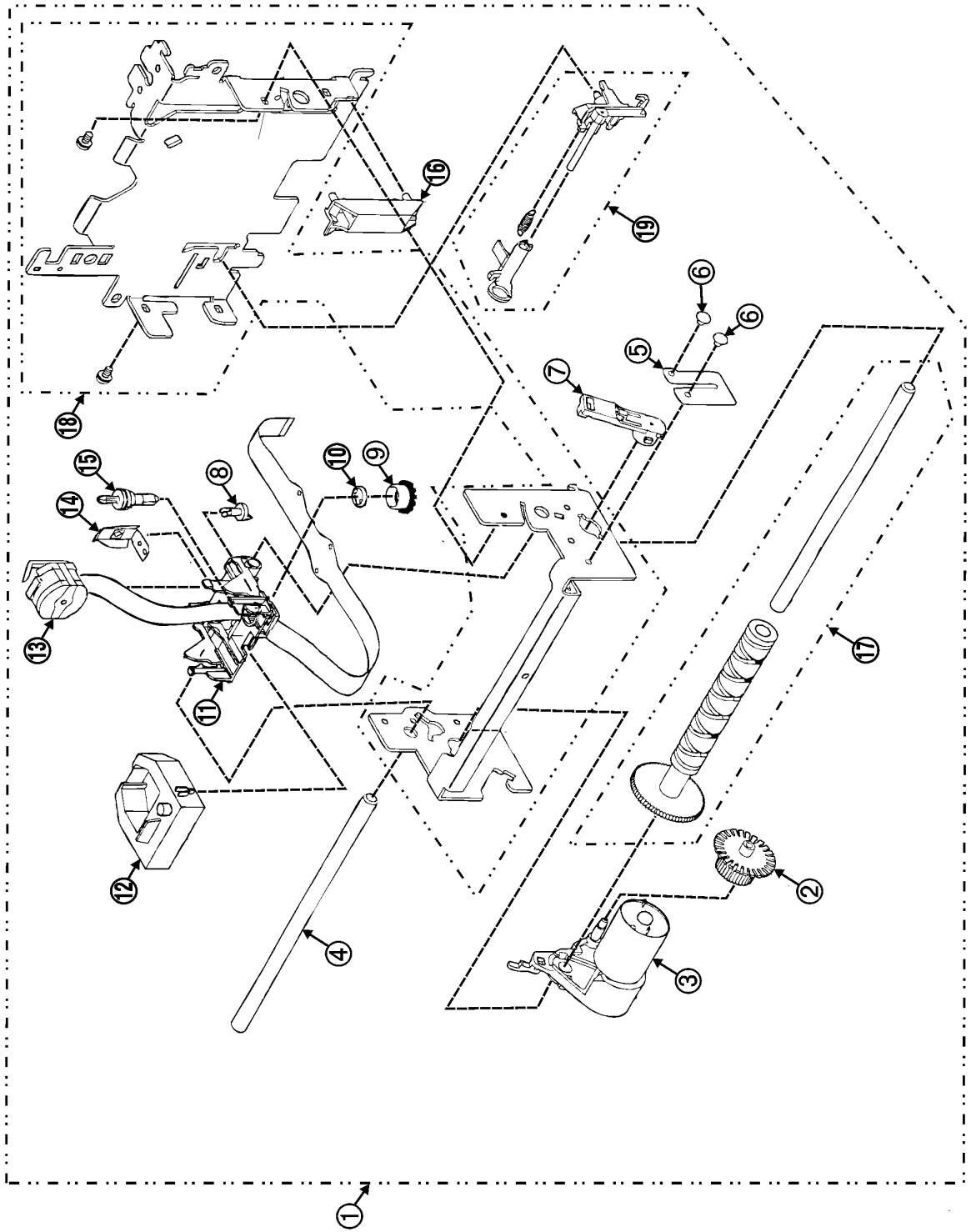
Printer Section (2)



Printer Section (2)

No.	Part No.	Description	Qty. Per
1	LE-155050	CARD CONVEYANCE ASSEMBLY	1
2	LE-155572	GUIDE BRACKET ASSEMBLY	1
3	LE-155951	LEK-1 MOUNTING	1
4	LE-155750	FLEX CABLE	1
5	LE-156150	SENSOR STAND F SUB-ASSEMBLY	1
6	LE-156200	CARD DETECTION LEVER	1
7	BX-150600	CARD DETECTION SPRING	1
8	LE-155551	GUIDE BRACKET SUB-ASSEMBLY	1
9	LE-156372	TENSION ROLLER ASSEMBLY	1
10	LE-156450	DRIVE ROLLER ASSEMBLY	1
11	LE-156600	TENSION SPRING	1
12	HS-456500	SHAFT RECEIVER BLU	1
13	HS-456700	SHAFT RECEIVER BL	1
14	HS-456850	RIGHT SIDE ROLLER B SHAFT RECEIVER ASSEMBLY	1
15	IBG-300599	PAN HEAD SCREW WITH WASHER, D = 3mm, L = 5mm	2
16	BX-152750	DC MOTOR CODE ASSEMBLY	1
17	HS-430400	GUIDE SHEET A	1
18	LE-165750	LEM MAIN PCB SUB-ASSEMBLY FOR MRX-35	1
19	UFJ-30122V	SELF TAPPING SCREW, D = 3mm, L = 12	1

Printer Section (3)



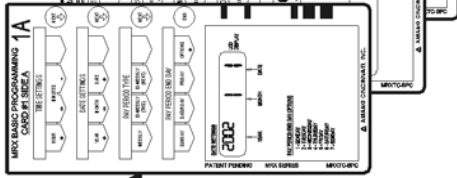
Printer Section (3)

No.	Part No.	Description	Qty. Per
1	LE-170050	PRINTER ASSEMBLY	1
2	LE-170300	DOT TIMING GEAR	1
3	BX-171170	MOTOR BRACKET ASSEMBLY	1
4	LE-170200	GUIDE SHAFT	1
5	LE-170100	DOT FLEXIBLE SHEET	1
6	RTB-303500	PLASTIC RIVET	2
7	BX-170300	SHAFT RECEIVER, RIGHT	1
8	SR-382603	CAM FOLLOWER	1
9	SR-213301	RIBBON FEED GEAR	1
10	IR-322501	INTERMEDIATE RING	1
11	SR-445000	PRINTER CARRIAGE	1
12	CE-319250	SINGLE COLOR RIBBON CASSETTE	1
13	CE-126902	DOT PRINTER HEAD	1
14	SR-213101	RIBBON GUIDE	1
15	SR-445100	RIBBON FEED SHAFT	1
16	HS-470400	CARD GUIDE RIGHT	1
17	LE-170400	CYLINDRICAL CAM	1
18	LE-171050	FRAME SUB-ASSEMBLY	1
19	LE-170670	CARD GUIDE LEFT ASSEMBLY	1

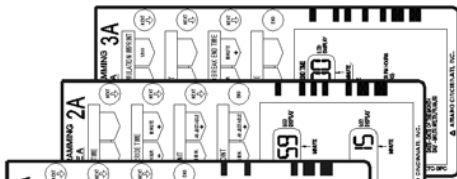
Accessories



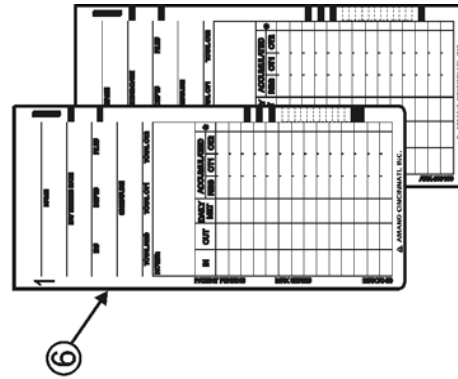
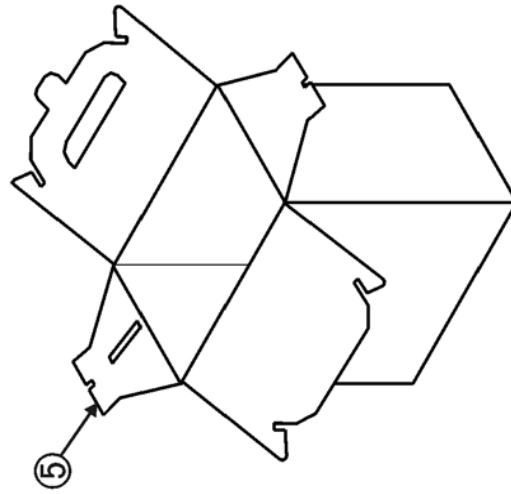
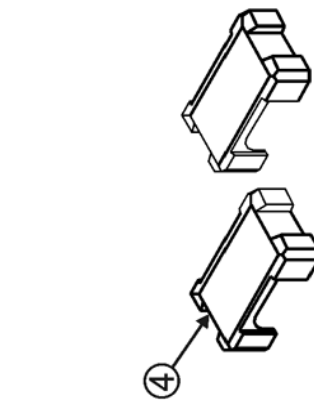
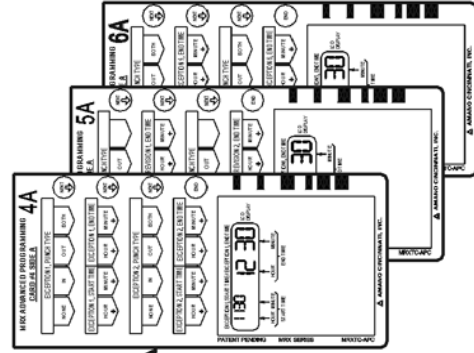
①



②



③



Accessories

No.	Part No.	Description	Qty. Per
1	ARX-100900	SETUP AND OPERATIONS MANUAL	1
2	MRXTC-BPC	BASIC PROGRAMMING CARD SET (3 CARDS)	1
3	MRXTC-APC	ADVANCED PROGRAMMING CARD SET (3 CARDS)	1
4	LE-102700	TOP AND BOTTOM FOAM SET	1
5	LE-107200	SHIPPING BOX	1
6	ARX-102400	TIME CARDS (SET OF 1,000, 20 SETS OF 50 CARDS)	1

Notes



Central Time Clock

Since 1931

5-23 50th Avenue | Long Island City, NY 11101

P: 718.784.4900 F: 718-472-9491

www.centraletimeclock.com