

AMANO®

CP-3000 Series

Electronic Time Recorder

Service Parts List



Amano Cincinnati, Inc. reserves the right to make equipment changes and improvements which may not be reflected in this document. Portions of this document may have been updated to include the latest hardware or firmware version, if applicable.

This manual covers the A050, A051, and A056 versions of the CP-3000

PROPRIETARY NOTICE

This document contains proprietary information and such information may not be reproduced in whole or in part without written permission from Amano Cincinnati, Inc., 140 Harrison Avenue, Roseland, New Jersey, 07068.

Table of Contents

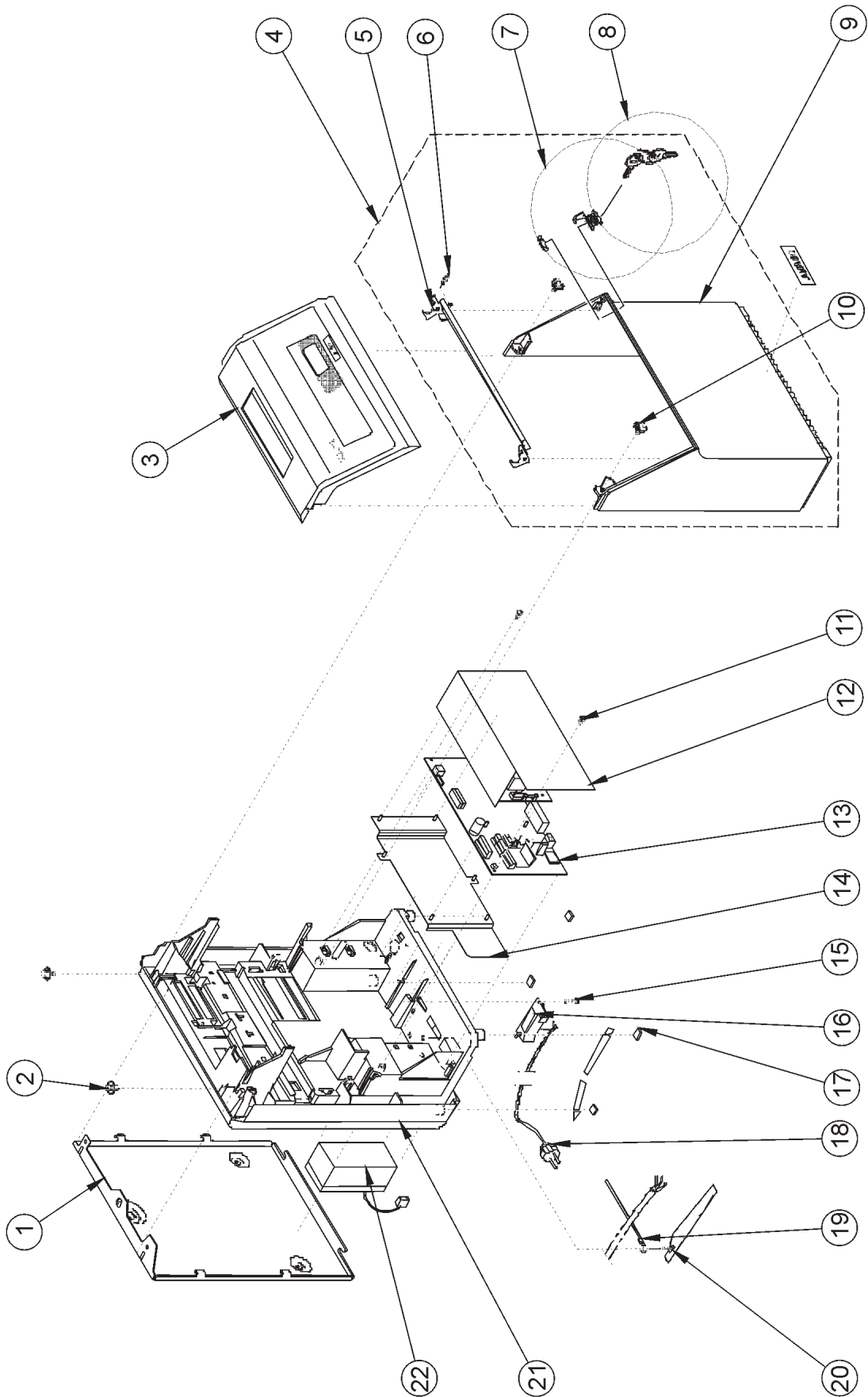
Case Assembly 2

Card Pocket Assembly 4

Card Feed Assembly 6

Printer Assembly 8

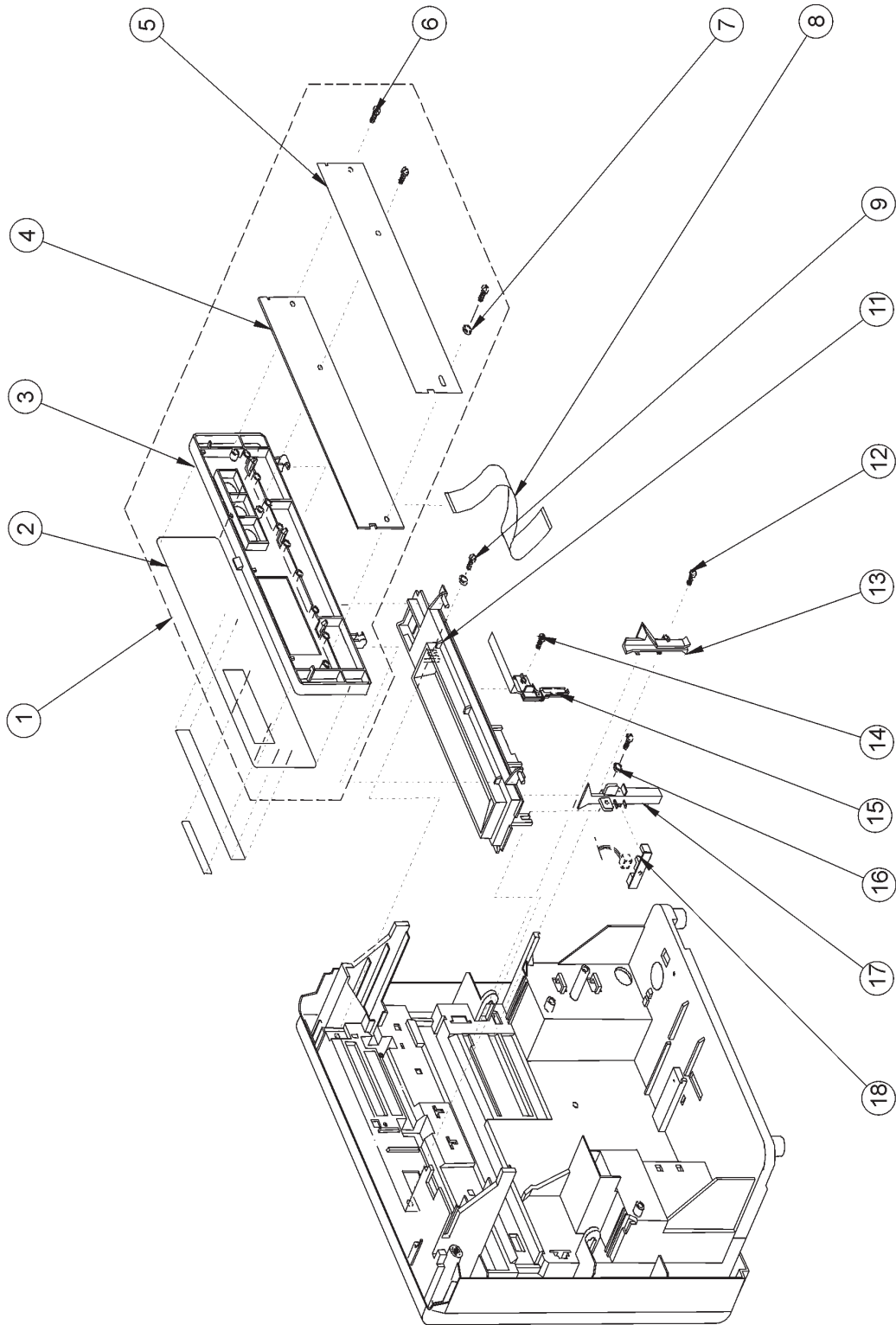
Case Assembly



Case Assembly

| No. | Part Number | Description | Qty. Per |
|-----|-------------|---|----------|
| 1 | AEP-055204 | Back Plate | 1 |
| 2 | SUG-3010 | Phillips Head TP Screw, D=3mm, L=10mm | 1 |
| 3 | AEP-055351 | Upper Case Assembly for CP-3000 | 1 |
| 4 | AEP-056252 | Front Case Assembly | 1 |
| 5 | AEP-055902 | Hook Lever | 1 |
| 6 | AEP-056500 | Hook Spring | 1 |
| 7 | AEP-055852 | Key Hook Assembly | 1 |
| 8 | C-459150 | Key Assembly, 700 Series | 1 |
| 9 | AEP-055105 | Front Case | 1 |
| 10 | SUG-4006 | Phillips Head TP Screw, D=4mm, L=8mm | 2 |
| 11 | UFJ-30A | Self-Tapping Screw, D=3mm, L=12mm | 2 |
| 12 | EOEB-102060 | Power Supply PCB PS-45-15 with Fuse | 1 |
| 13 | AEP-020661 | PCB Assembly, CP-3000 120V, CPC-1I, Model A050 | 1 |
| | AEP-020661A | PCB Assembly, CP-3000 120V, CPC-1I, Model A051 | |
| | ATR-102150 | PCB Assembly, CP-3000 120V, Index No., CPC-1K, Model A056 | |
| 14 | AEP-063101 | Power Supply Fixing Plate | 1 |
| 15 | UFJ-40122V | Self-Tapping Screw, D=4mm, L=12mm | 1 |
| 16 | SR-100500 | Cord Holder | 1 |
| 17 | SR-207101 | Rubber Foot | 4 |
| 18 | EPG-402201 | Power Supply Cord | 1 |
| 19 | ECA-190080 | Cable Tie | 3 |
| 20 | UFJ-40122V | Self-Tapping Screw, D=4mm, L=12mm | 3 |
| 21 | AEP-055070 | Case Frame Assembly | 1 |
| 22 | AEP-010254 | Battery Assembly | 1 |
| 23 | EFSB-220003 | Glass tube fuse 250V, 2A (Main PCB Assembly), Not shown | 1 |
| 24 | EFS-240002 | FUSE 4A 250V GFE (Power Supply), Not shown | 1 |

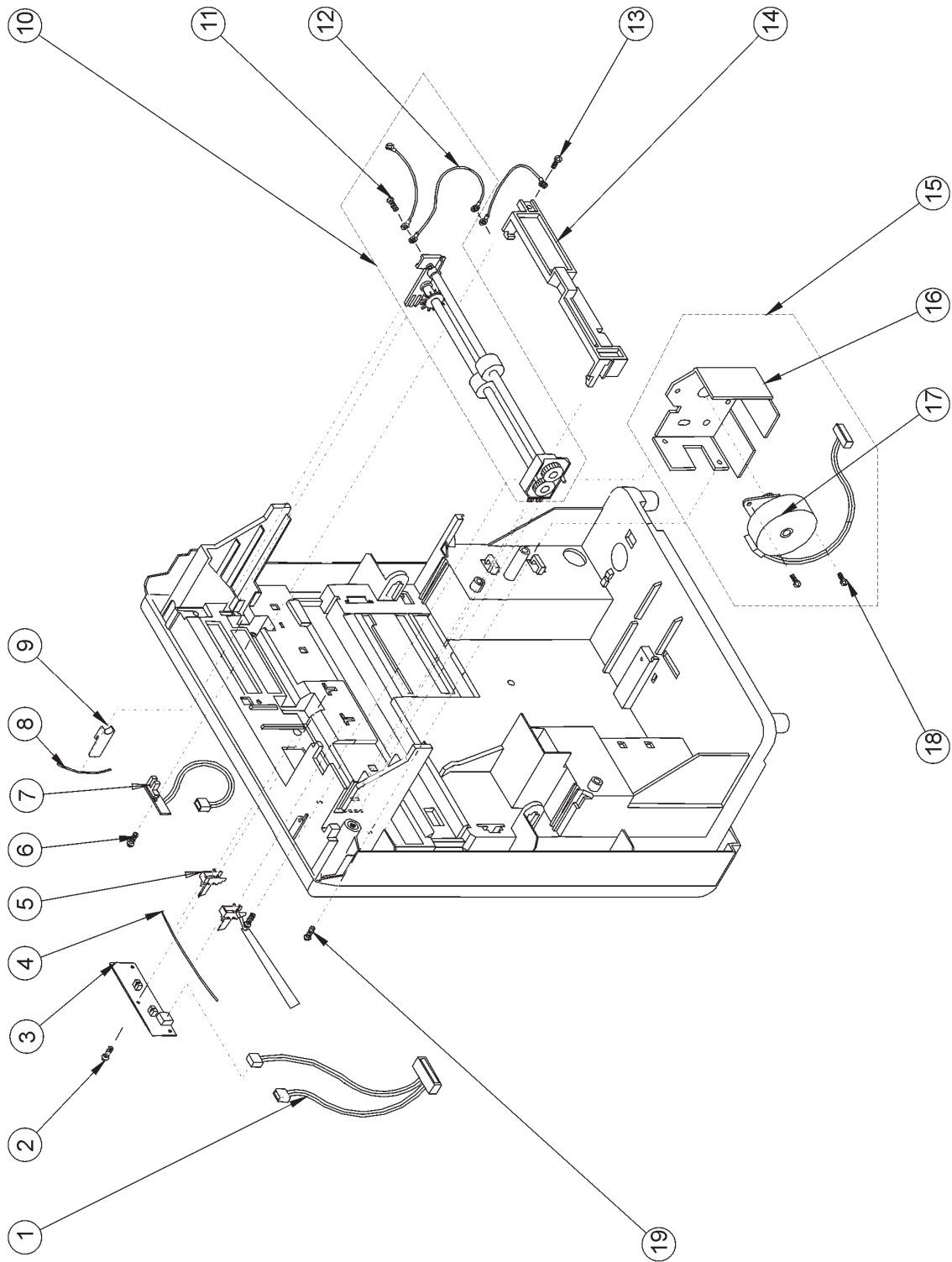
Card Pocket Assembly



Card Pocket Assembly

| No. | Part Number | Description | Qty. Per |
|-----|-------------|--------------------------------------|----------|
| 1 | AEP-070152 | Display Assembly | 1 |
| 2 | ATR-100202 | Display Panel W/Print CP-300 | 1 |
| 3 | AEP-070104 | Display Bracket | 1 |
| 4 | AEP-020858 | CPC-2F Display PCB Assembly | 1 |
| 5 | AEP-070201 | Display Insulator | 1 |
| 6 | UFJ-30102V | Self-Tapping Screw D=3mm, L=10mm | 3 |
| 7 | WDG-3005 | Circular Washer D=3mm, T=0.5mm | 1 |
| 8 | AEP-010700 | Flex Cable | 1 |
| 9 | UFJ-30142V | Self-Tapping Screw D=3mm, L=14mm | 2 |
| 10 | WDG-3005 | Circular Washer D=3mm, T=0.5mm | 1 |
| 11 | AEP-076001 | Pocket | 1 |
| 12 | UFU-301420 | Phillips Tapping Screw D=3mm, L=14mm | 1 |
| 13 | CF-102205 | Transfer Guide | 1 |
| 14 | UFU-301420 | Phillips Tapping Screw D=3mm, L=14mm | 1 |
| 15 | AEP-076170 | Adjustable Pocket Total Assembly | 1 |
| 16 | WEV-3006 | Washer D=3mm, T=0.6mm | 1 |
| 17 | AEP-075250 | Left Card Guide Assembly | 1 |
| 18 | AEP-011053 | Card Detect Sensor Assembly | 1 |

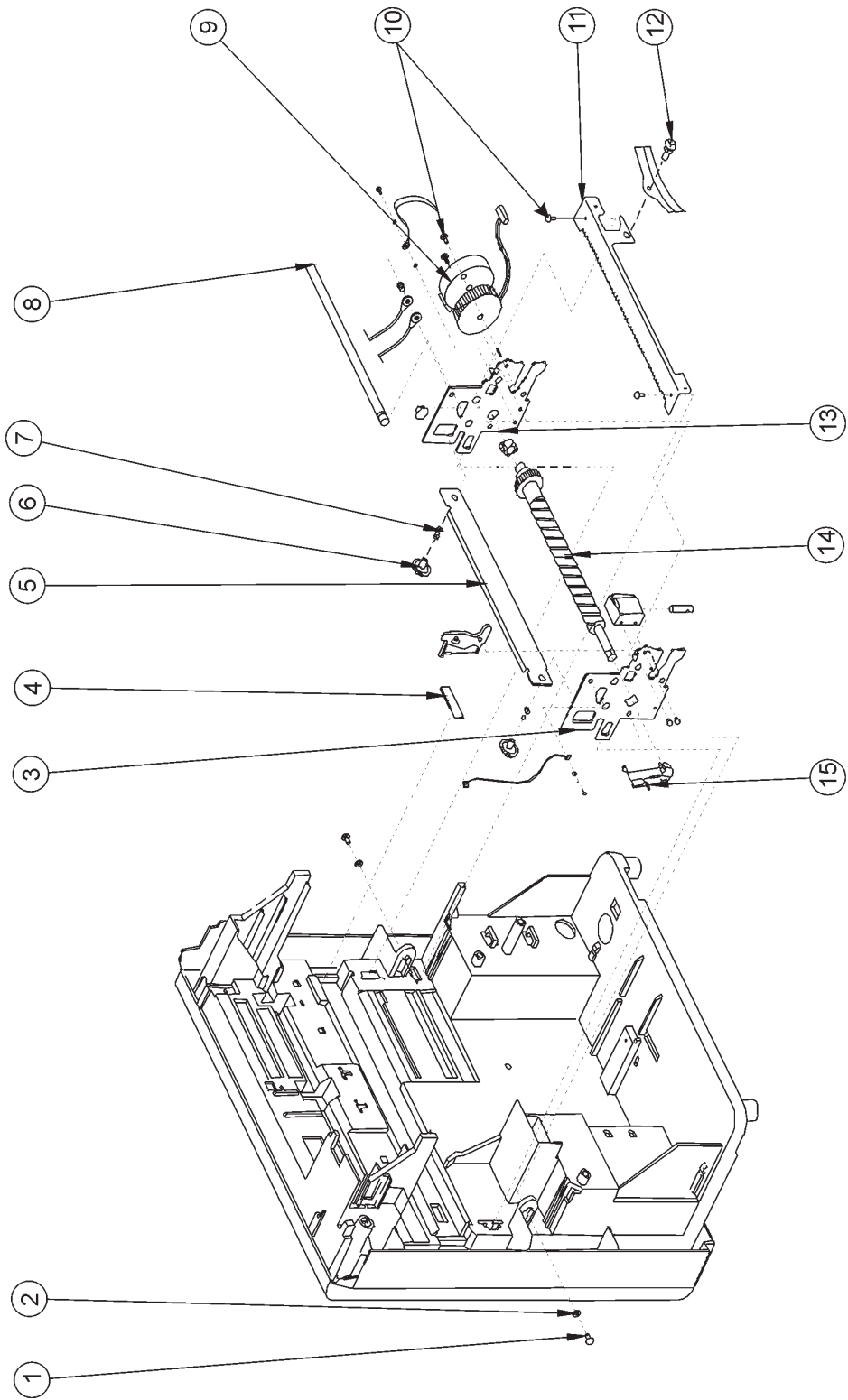
Card Feed Assembly



Card Feed Assembly

| No. | Part Number | Description | Qty. Per |
|-----|-------------|-----------------------------------|----------|
| 1 | AEP-010453 | Front/Back Sensor Assembly | 1 |
| 2 | UFJ-30A | Self Tapping Screw, D=3mm, L=12mm | 1 |
| 3 | AEP-020956 | Front/Back PCB Assembly | 1 |
| 4 | SR-352203 | Bar Spring (B) | 1 |
| 5 | SR-352606 | Shade Actuator | 2 |
| 6 | UFJ-30A | Self Tapping Screw, D=3mm, L=12mm | 1 |
| 7 | AEP-011070 | Timing Sensor Assembly | 1 |
| 8 | SR-371703 | Bar Spring (C) | 1 |
| 9 | AEP-062300 | Spring Holder | 1 |
| 10 | AEP-060770 | Bearing & Shaft Assembly | 1 |
| 11 | UFJ-30A | Self-Tapping Screw, D=3mm, L=12mm | 1 |
| 12 | AEP-010151 | Earth Wire Assembly | 3 |
| 13 | UFJ-30A | Self-Tapping Screw, D=3mm, L=12mm | 1 |
| 14 | AEP-060804 | Front Card Guide | 1 |
| 15 | AEP-062251 | Motor Bracket Assembly | 1 |
| 16 | AEP-062200 | Motor Bracket Assembly | 1 |
| 17 | AEP-062050 | Feed Motor Assembly | 1 |
| 18 | UTJ-3006 | FT-Screw, D=3mm, L=6mm | 1 |
| 19 | IBG-3008 | Phillips Screw, D=3mm, L=8mm | 1 |

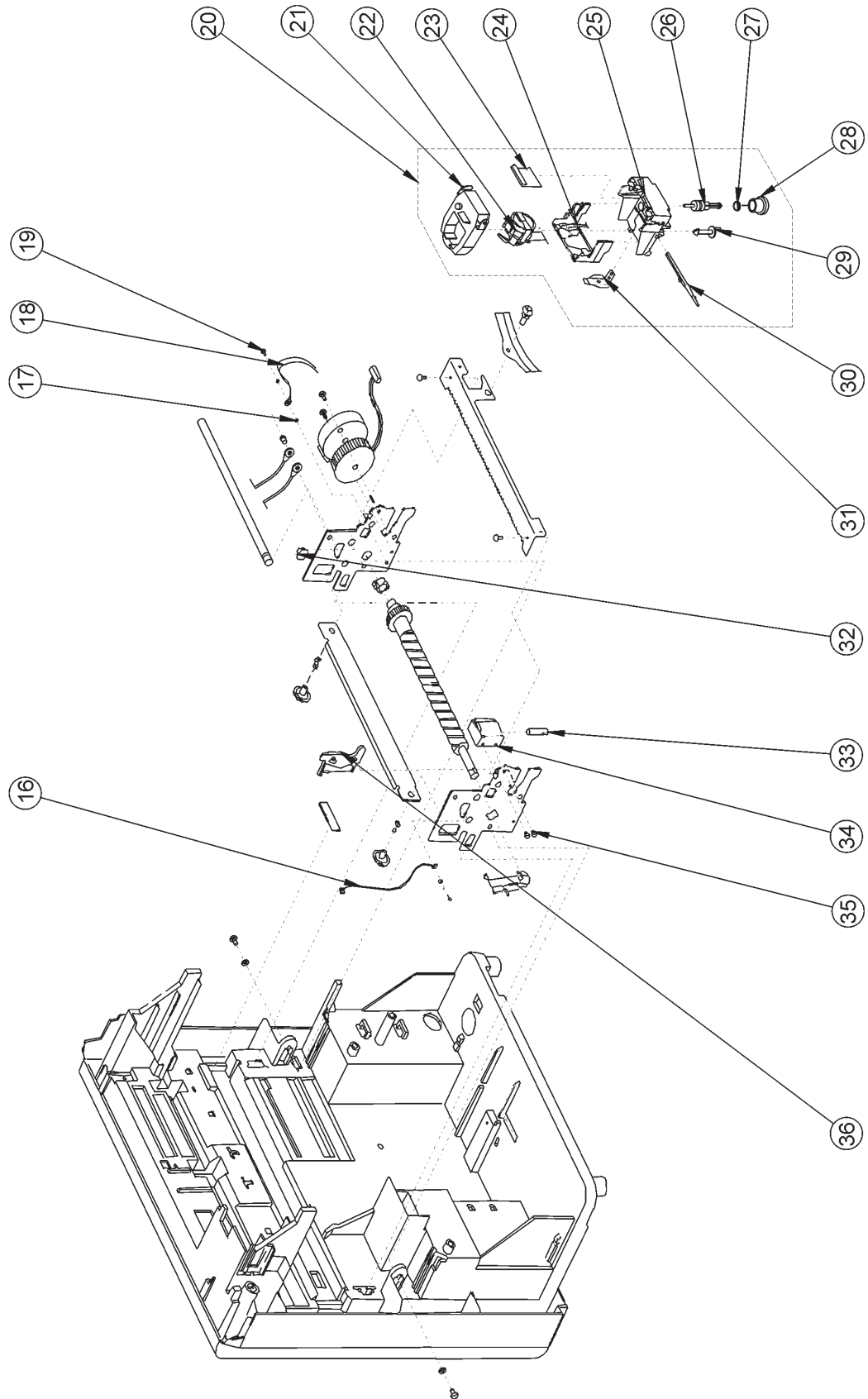
Printer Assembly



Printer Assembly

| No. | Part Number | Description | Qty. Per |
|-----|-------------|--|----------|
| 1 | UTJ-3010 | FT-Screw, D=3mm, L=10mm | 2 |
| 2 | WDG-3005 | Finished Circular Washer, D=3mm, T=0.5mm | 2 |
| 3 | AEP-080300 | Printer Frame | 2 |
| 4 | AEP-056002 | Home Position Seal | 1 |
| 5 | AEP-080502 | Printer Platen | 1 |
| 6 | AEP-080600 | Platen Adjuster | 1 |
| 7 | AEP-080702 | Adjuster Spring | 1 |
| 8 | AEP-080800 | Printer Guide Axis | 1 |
| 9 | AEP-081570 | Printer Motor Assembly | 1 |
| 10 | UTJ-3006 | FT-Screw, D=3mm, L=6mm | 4 |
| 11 | AEP-080400 | Printer Rack | 1 |
| 12 | RTB-3045 | Plastic Rivet | 1 |
| 13 | AEP-081201 | Cam Bearing | 1 |
| 14 | AEP-081001 | Cylindrical Cam | 1 |
| 15 | SR-3817 | Shaft Receiver | 1 |

Printer Assembly



Printer Assembly

| No. | Part Number | Description | Qty. Per |
|-----|--------------------------|--|----------|
| 16 | AEP-010951 | Earth Wire Assembly Back Plate | 1 |
| 17 | WEV-3006 | Magnetic Washer D=3mm, T=0.6mm | 2 |
| 18 | AEP-010651 | Earth Wire Assembly Printer | 1 |
| 19 | UTJ-3006 | FT Screw, D =3mm, L=6mm | 2 |
| 20 | AEP-082150 AEP-082250 | Printer Table Assembly 1-color, Model A050 Printer Table Assembly 2-color, Model A051, A056 | 1 |
| 21 | CE-316353 CE-316452 | Ribbon cassette 1-color, A050 Model A051 Ribbon cassette 2-color, Model A051, A056 | 1 |
| 22 | CE-1269 | Dot Head Assembly | 1 |
| 23 | SR-2202 | Cassette Presser, Model A051, A056 | 1 |
| 24 | AEP-083050 | Sensor Bracket Assembly | 1 |
| 25 | SR-3821 | Printer Table | 1 |
| 26 | SR-2132 | Ribbon Feed Shaft | 1 |
| 27 | IR-3225 | Intermediate Ring | 1 |
| 28 | SR-2133 | Ribbon Feed Gear | 1 |
| 29 | AEP-083600 | Cam Follower | 1 |
| 30 | SR-2200 | Slider | 1 |
| 31 | AEP-084000 | Ribbon Guide | 1 |
| 32 | EIS-400650 | Bush, Model A051, A056 | 1 |
| 33 | EMG-823271 | Plunger, Model A051, A056 | 1 |
| 34 | EMG-401410 | 2 Color Magnet, Model A051, A056 | 1 |
| 35 | STG-2604 | Phillips Screw, D=2.6mm, L=4mm | 2 |
| 36 | SR-2201 | Shift lever, Model A051, A056 | 1 |

Notes



Central Time Clock

Since 1931

5-23 50th Avenue | Long Island City, NY 11101

P: 718.784.4900 F: 718-472-9491

www.centraletimeclock.com