

AMANO®

CP-3000 Series

Electronic Time Recorder

Service Parts List



Amano Cincinnati, Inc. reserves the right to make equipment changes and improvements which may not be reflected in this document. Portions of this document may have been updated to include the latest hardware or firmware version, if applicable.

This manual covers the A050, A051, and A056 versions of the CP-3000

PROPRIETARY NOTICE

This document contains proprietary information and such information may not be reproduced in whole or in part without written permission from Amano Cincinnati, Inc., 140 Harrison Avenue, Roseland, New Jersey, 07068.

Table of Contents

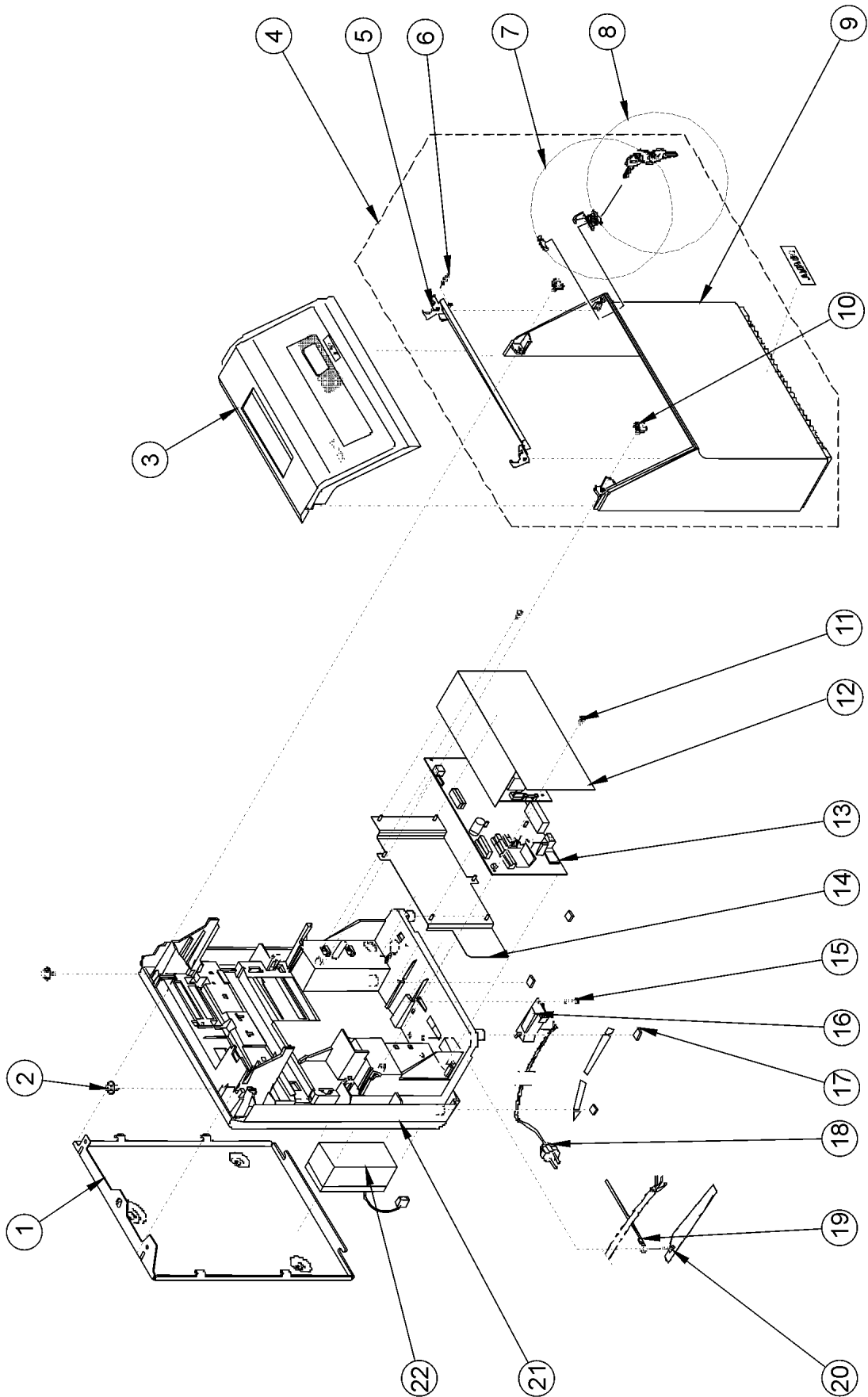
Case Assembly 2

Card Pocket Assembly 4

Card Feed Assembly 6

Printer Assembly 8

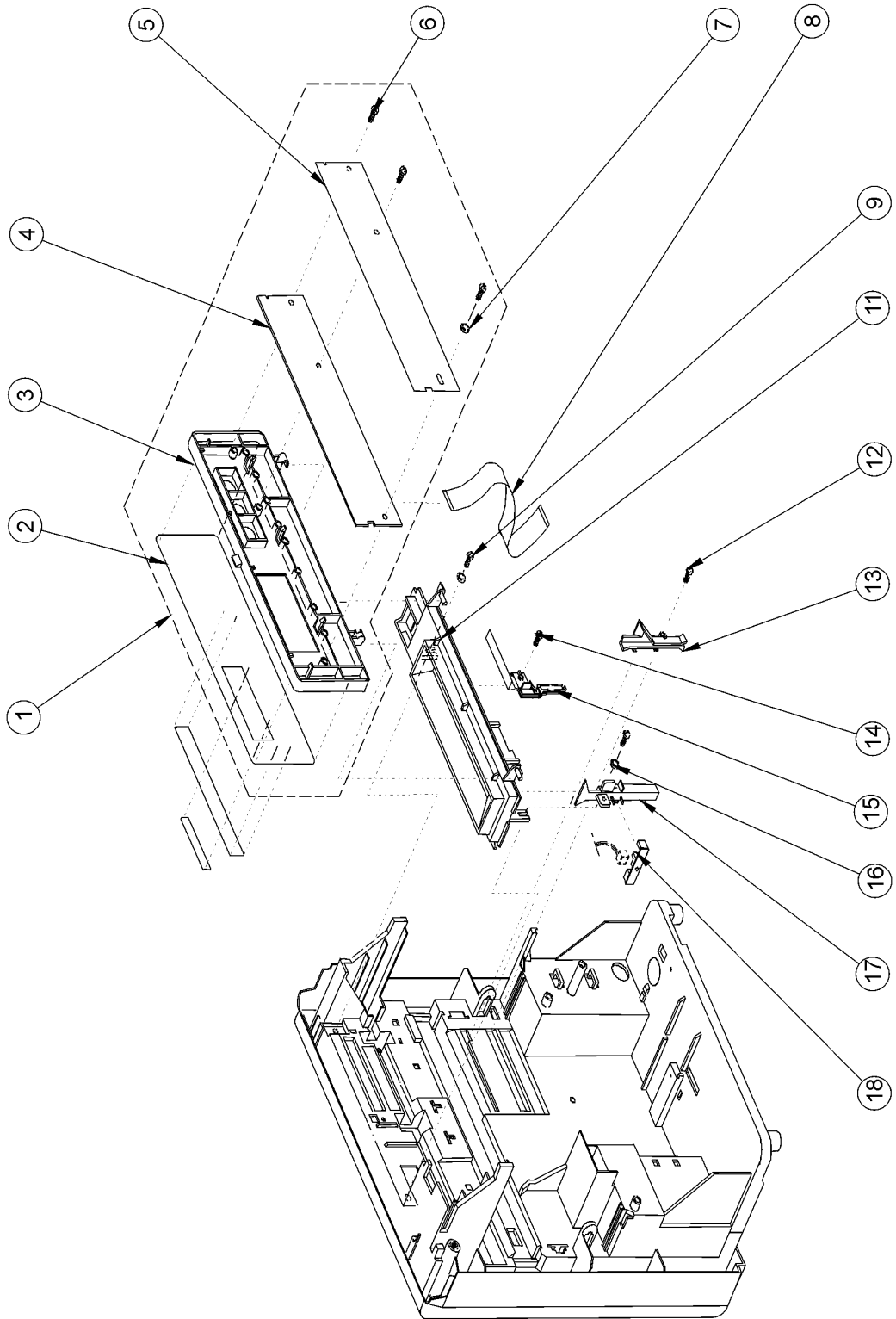
Case Assembly



Case Assembly

No.	Part Number	Description	Qty. Per
1	AEP-055204	Back Plate	1
2	SUG-3010	Phillips Head TP Screw, D=3mm, L=10mm	1
3	AEP-055351	Upper Case Assembly for CP-3000	1
4	AEP-056252	Front Case Assembly	1
5	AEP-055902	Hook Lever	1
6	AEP-056500	Hook Spring	1
7	AEP-055852	Key Hook Assembly	1
8	C-459150	Key Assembly, 700 Series	1
9	AEP-055105	Front Case	1
10	SUG-4006	Phillips Head TP Screw, D=4mm, L=8mm	2
11	UFJ-30A	Self-Tapping Screw, D=3mm, L=12mm	2
12	EOEB-102060	Power Supply PCB PS-45-15 with Fuse	1
13	AEP-020661	PCB Assembly, CP-3000 120V, CPC-1I, Model A050	1
	AEP-020661A	PCB Assembly, CP-3000 120V, CPC-1I, Model A051	
	ATR-102150	PCB Assembly, CP-3000 120V, Index No., CPC-1K, Model A056	
14	AEP-063101	Power Supply Fixing Plate	1
15	UFJ-40122V	Self-Tapping Screw, D=4mm, L=12mm	1
16	SR-100500	Cord Holder	1
17	SR-207101	Rubber Foot	4
18	EPG-402201	Power Supply Cord	1
19	ECA-190080	Cable Tie	3
20	UFJ-40122V	Self-Tapping Screw, D=4mm, L=12mm	3
21	AEP-055070	Case Frame Assembly	1
22	AEP-010254	Battery Assembly	1
23	EFSB-220003	Glass tube fuse 250V, 2A (Main PCB Assembly), Not shown	1
24	EFS-240002	FUSE 4A 250V GFE (Power Supply), Not shown	1

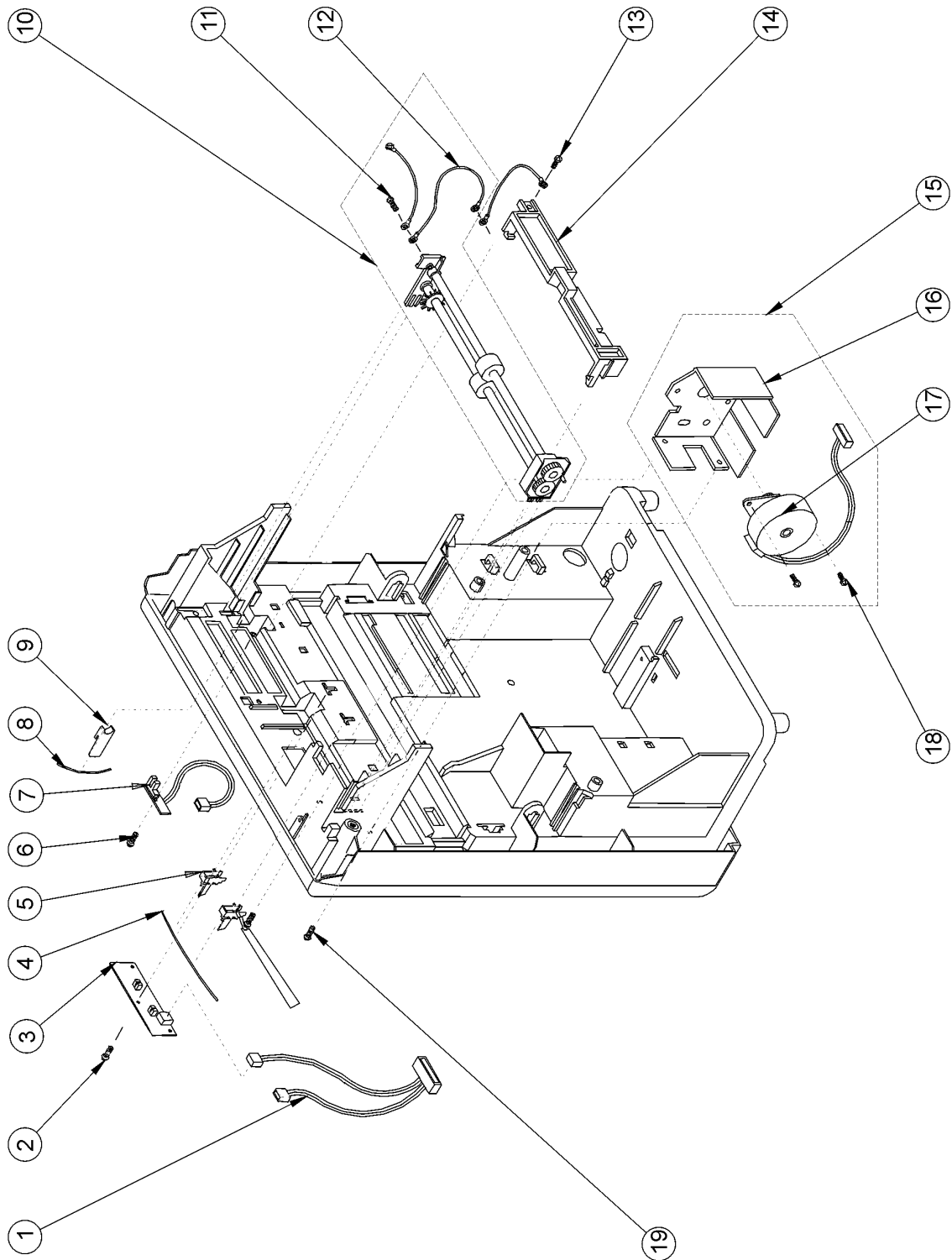
Card Pocket Assembly



Card Pocket Assembly

No.	Part Number	Description	Qty. Per
1	AEP-070152	Display Assembly	1
2	ATR-100202	Display Panel W/Print CP-300	1
3	AEP-070104	Display Bracket	1
4	AEP-020858	CPC-2F Display PCB Assembly	1
5	AEP-070201	Display Insulator	1
6	UFJ-30102V	Self-Tapping Screw D=3mm, L=10mm	3
7	WDG-3005	Circular Washer D=3mm, T=0.5mm	1
8	AEP-010700	Flex Cable	1
9	UFJ-30142V	Self-Tapping Screw D=3mm, L=14mm	2
10	WDG-3005	Circular Washer D=3mm, T=0.5mm	1
11	AEP-076001	Pocket	1
12	UFU-301420	Phillips Tapping Screw D=3mm, L=14mm	1
13	CF-102205	Transfer Guide	1
14	UFU-301420	Phillips Tapping Screw D=3mm, L=14mm	1
15	AEP-076170	Adjustable Pocket Total Assembly	1
16	WEV-3006	Washer D=3mm, T=0.6mm	1
17	AEP-075250	Left Card Guide Assembly	1
18	AEP-011053	Card Detect Sensor Assembly	1

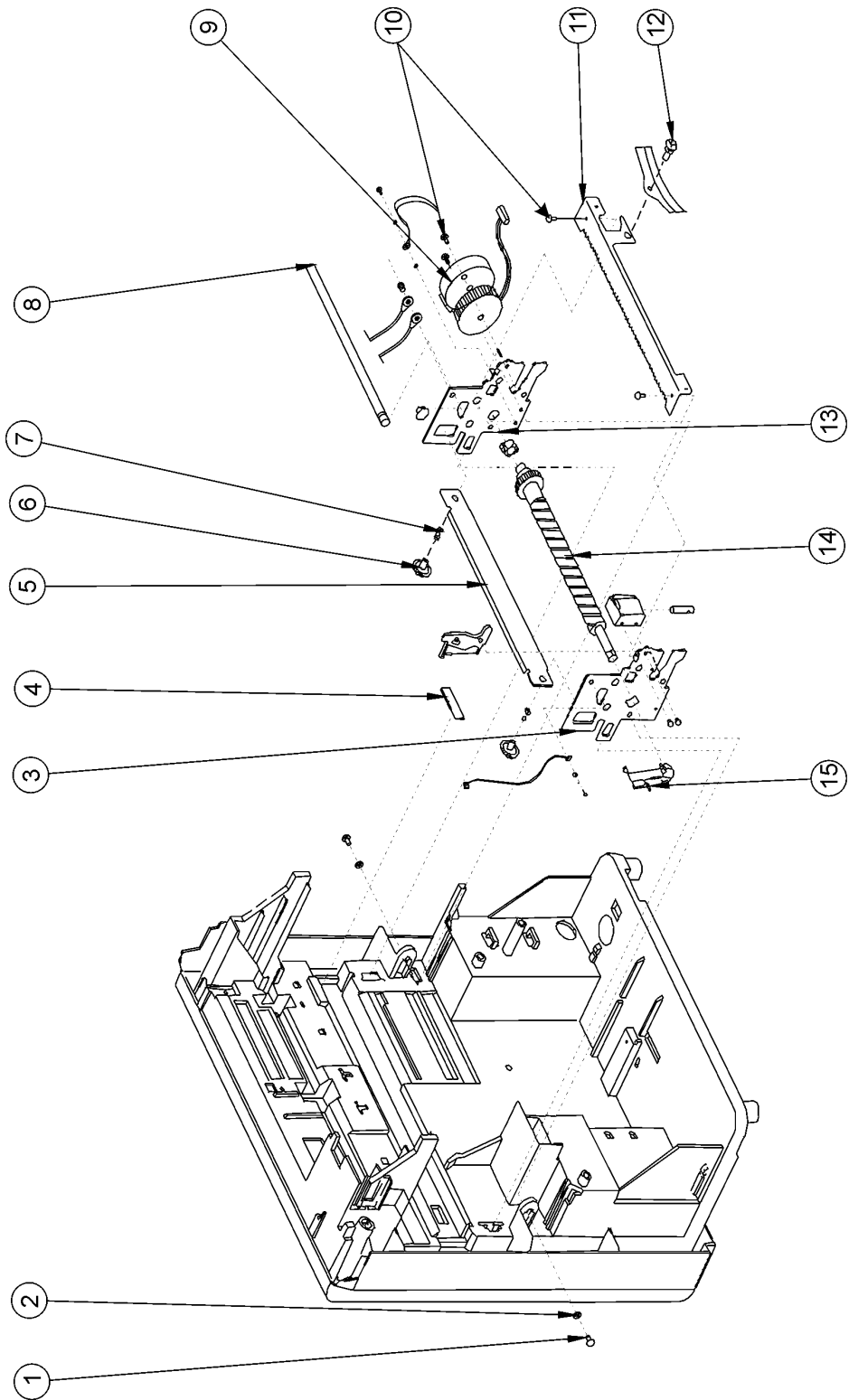
Card Feed Assembly



Card Feed Assembly

No.	Part Number	Description	Qty. Per
1	AEP-010453	Front/Back Sensor Assembly	1
2	UFJ-30A	Self Tapping Screw, D=3mm, L=12mm	1
3	AEP-020956	Front/Back PCB Assembly	1
4	SR-352203	Bar Spring (B)	1
5	SR-352606	Shade Actuator	2
6	UFJ-30A	Self Tapping Screw, D=3mm, L=12mm	1
7	AEP-011070	Timing Sensor Assembly	1
8	SR-371703	Bar Spring (C)	1
9	AEP-062300	Spring Holder	1
10	AEP-060770	Bearing & Shaft Assembly	1
11	UFJ-30A	Self-Tapping Screw, D=3mm, L=12mm	1
12	AEP-010151	Earth Wire Assembly	3
13	UFJ-30A	Self-Tapping Screw, D=3mm, L=12mm	1
14	AEP-060804	Front Card Guide	1
15	AEP-062251	Motor Bracket Assembly	1
16	AEP-062200	Motor Bracket Assembly	1
17	AEP-062050	Feed Motor Assembly	1
18	UTJ-3006	FT-Screw, D=3mm, L=6mm	1
19	IBG-3008	Phillips Screw, D=3mm, L=8mm	1

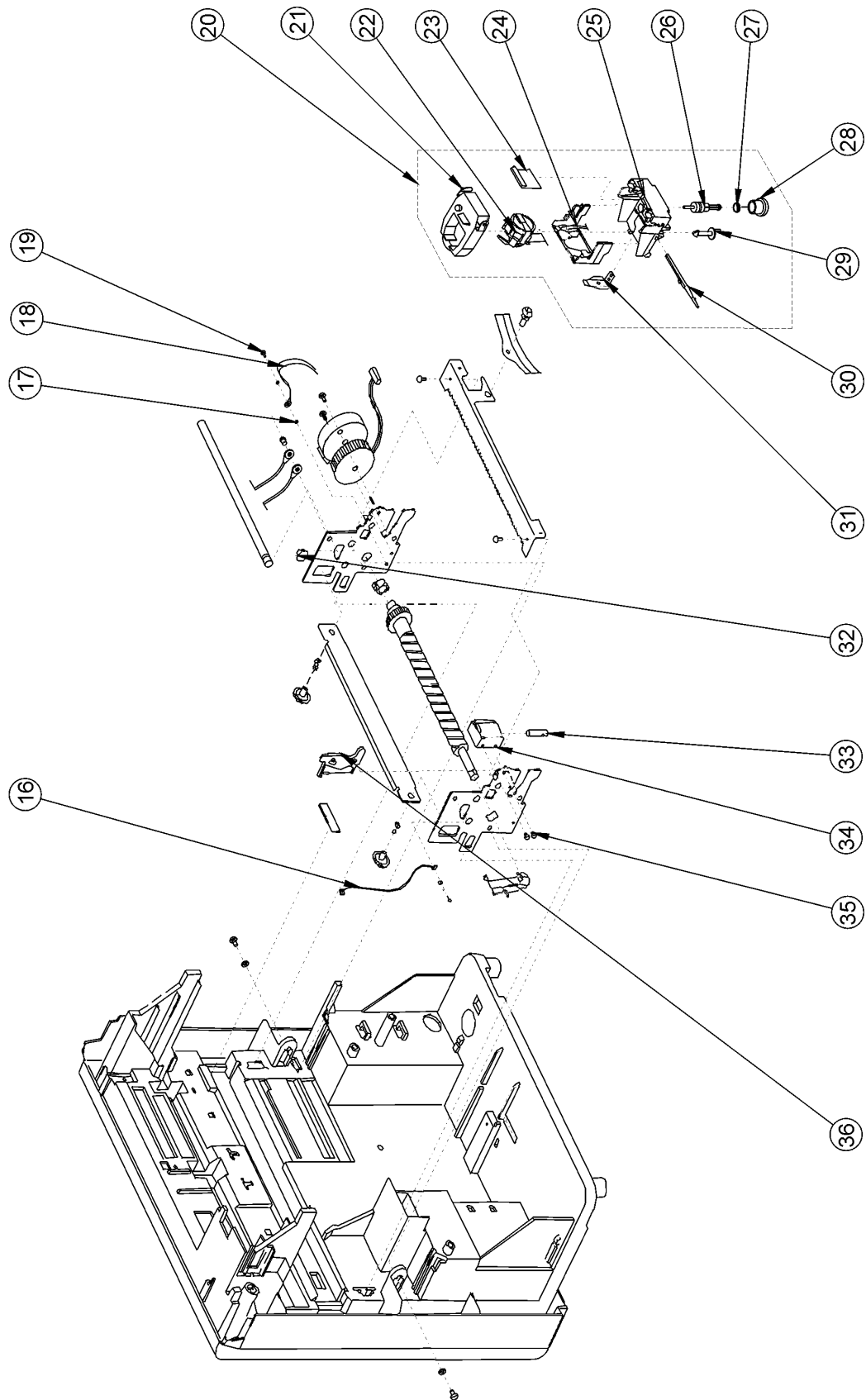
Printer Assembly



Printer Assembly

No.	Part Number	Description	Qty. Per
1	UTJ-3010	FT-Screw, D=3mm, L=10mm	2
2	WDG-3005	Finished Circular Washer, D=3mm, T=0.5mm	2
3	AEP-080300	Printer Frame	2
4	AEP-056002	Home Position Seal	1
5	AEP-080502	Printer Platen	1
6	AEP-080600	Platen Adjuster	1
7	AEP-080702	Adjuster Spring	1
8	AEP-080800	Printer Guide Axis	1
9	AEP-081570	Printer Motor Assembly	1
10	UTJ-3006	FT-Screw, D=3mm, L=6mm	4
11	AEP-080400	Printer Rack	1
12	RTB-3045	Plastic Rivet	1
13	AEP-081201	Cam Bearing	1
14	AEP-081001	Cylindrical Cam	1
15	SR-3817	Shaft Receiver	1

Printer Assembly



Printer Assembly

No.	Part Number	Description	Qty. Per
16	AEP-010951	Earth Wire Assembly Back Plate	1
17	WEV-3006	Magnetic Washer D=3mm, T=0.6mm	2
18	AEP-010651	Earth Wire Assembly Printer	1
19	UTJ-3006	FT Screw, D =3mm, L=6mm	2
20	AEP-082150 AEP-082250	Printer Table Assembly 1-color, Model A050 Printer Table Assembly 2-color, Model A051, A056	1
21	CE-316353 CE-316452	Ribbon cassette 1-color, A050 Model A051 Ribbon cassette 2-color, Model A051, A056	1
22	CE-1269	Dot Head Assembly	1
23	SR-2202	Cassette Presser, Model A051, A056	1
24	AEP-083050	Sensor Bracket Assembly	1
25	SR-3821	Printer Table	1
26	SR-2132	Ribbon Feed Shaft	1
27	IR-3225	Intermediate Ring	1
28	SR-2133	Ribbon Feed Gear	1
29	AEP-083600	Cam Follower	1
30	SR-2200	Slider	1
31	AEP-084000	Ribbon Guide	1
32	EIS-400650	Bush, Model A051, A056	1
33	EMG-823271	Plunger, Model A051, A056	1
34	EMG-401410	2 Color Magnet, Model A051, A056	1
35	STG-2604	Phillips Screw, D=2.6mm, L=4mm	2
36	SR-2201	Shift lever, Model A051, A056	1

Notes



Central Time Clock

Since 1931

5-23 50th Avenue | Long Island City, NY 11101

P: 718.784.4900 F: 718-472-9491

www.centraletimeclock.com