

BATTERY POWERED USER INSTRUCTIONS

ACROPRINT 125 "BOSS" TIME CLOCKS

We thank you very much for purchasing the Acroprint "BOSS" Battery Operated with Solid State Quartz Controlled Accuracy) Time Recorder. Many engineering and testing hours have been spent in producing for you an extremely accurate "State of the Art" portable (Battery Powered) Time Recording Device.

This instruction pamphlet covers the following Acroprint BOSS Recorder:

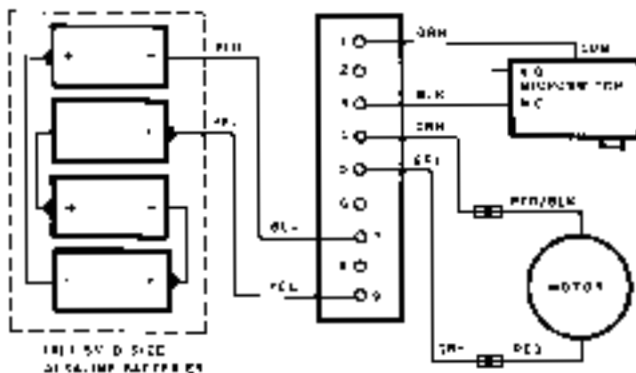
1. BP125-6 A stand alone recorder for use with four (4) standard "D" cell, 1.5 Volt DC Alkaline Batteries (batteries not included).
2. BP125-R6 For use with four (4) standard Rechargeable 1.5 Volt DC Batteries. Equipped with built-in Trickle BATTERY Charger. Recorder will run for several days after power interruption. Batteries should last for 4 to 5 years. For use in either 110 Volt or 220 Volt AC Power systems. The desired voltage should have been specified when recorder was ordered.
3. BP-125-12 For use in Motor Vehicle with 12 Volt DC Battery or for use in Extremely Cold Climates with a (suggested) 12 Volt DC Lead Acid Battery (battery not included).

GENERAL INSTRUCTIONS

For instructions covering the removal of the case cover, setting the recorder, changing the ribbon and general maintenance, please see the enclosed General User Instructions Pamphlet.

The BP125-6 ACROPRINT "BOSS" Recorder

Your new Battery Powered Acroprint Recorder is designed to operate on four (4) 1.5VDC "D" cell batteries. Any make battery will be satisfactory; however, we recommend that you use Alkaline Batteries, which should provide you with several months of reliable operation.



125 Battery Powered (6V DC)

INSTALLING THE BATTERIES

To install the batteries, loosen and remove the Butterfly Nuts at the top of the Assembly Frame which will enable you to pivot the entire clock mechanism forward on the bottom screws; thereby, allowing you to gain access to the battery holder mounted on the inside back of the case. The top battery should have the positive terminal on the left, as indicated on the battery holder. The positive terminals on the other three (3) batteries should alternate as shown on the battery holder.

If two of the batteries are improperly installed, a red light on the circuit board, which is mounted in the upper right hand corner of the back case, will glow RED. (See Figure 2.) If all is well, the recorder should advance one (1) minute within sixty (60) seconds after the batteries have been properly installed.

WEAK BATTERY WARNING

When the batteries have discharged voltage down to a certain point, a beeper on the circuit board will be activated. When you hear the beeping, we recommend replacing the batteries within five (5) days or the recorder may begin to lose time or stop altogether. (See Figure 2.)

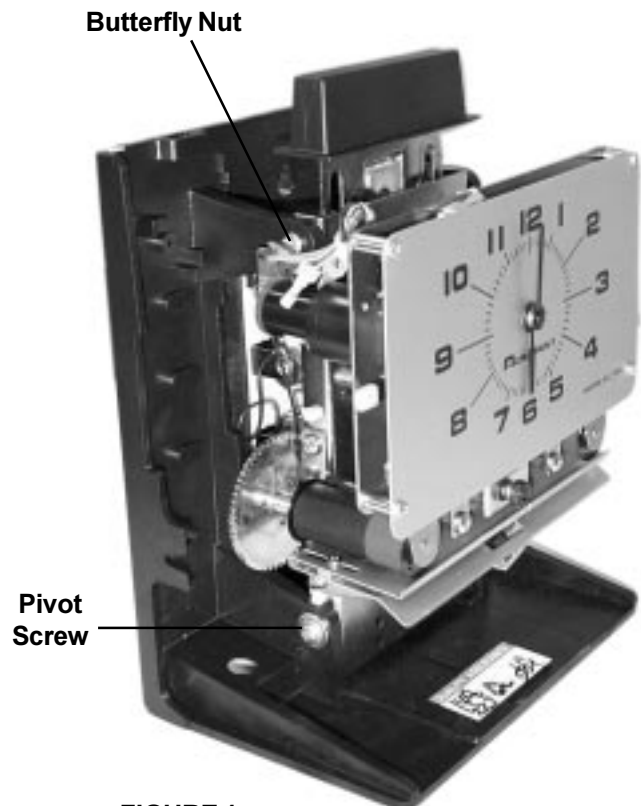


FIGURE 1

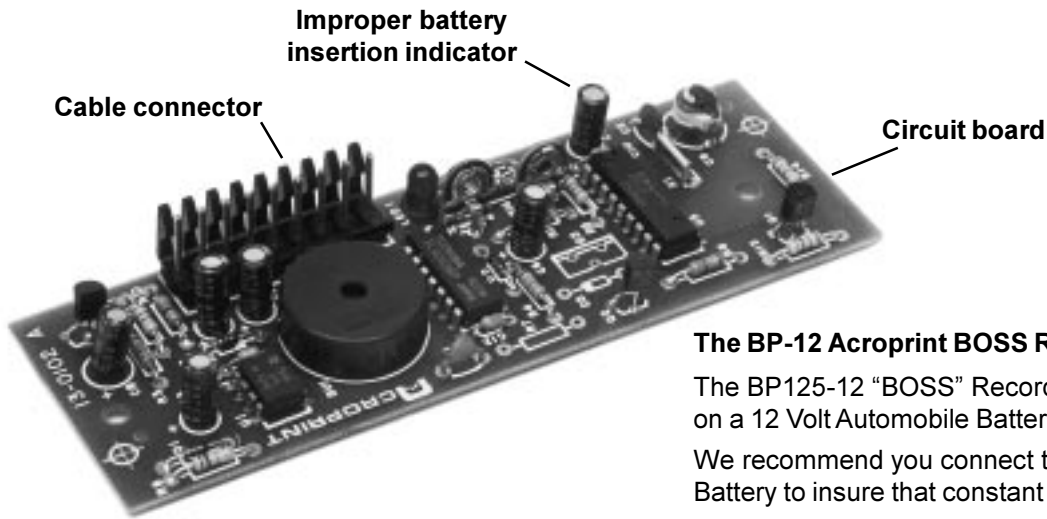


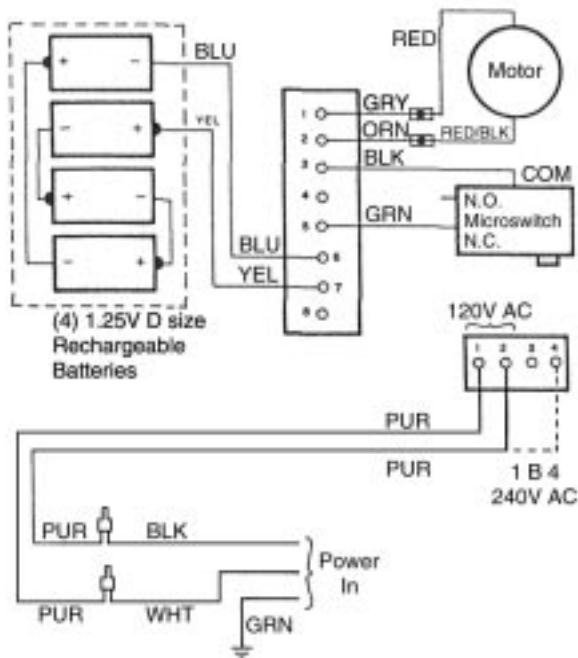
FIGURE 2

The Rechargeable Recorder BP 125-R6

These recorders include four (4) standard rechargeable batteries.

IMPORTANT: Before setting your recorder to the correct time, plug the machine in for at least 15 minutes to allow batteries to charge up to operating voltage or the recorder will run slow.

125 Rechargeable (120/240V AC)



The BP-12 Acroprint BOSS Recorder

The BP125-12 "BOSS" Recorder is designed to operate on a 12 Volt Automobile Battery.

We recommend you connect the recorder directly to the Battery to insure that constant power is supplied.

We supplied two (2) "ring" terminals to make the connection to your battery and two (2) "y" terminals to make the connection on the terminal block. You will need to purchase two (2) wires in whatever length required. We suggest a No. 20 gauge stranded wire that can be purchased from any hardware store or electrical parts shop.

Once you have the wire, connect a "ring" terminal to one end of each wire and a "y" terminal to the other ends. (Locate the six (6) position terminal block mounted to the time recorder's back case and connect one of the "y" terminals to terminal No. 1 and the other to terminal No. 2, be sure to identify the wire on Terminal No. 2 by wrapping electrician's tape around the ring terminal because this will be connected to the positive (+) terminal on your battery.) Fish the wire through the firewall of the vehicle either through an existing opening used by air conditioning or heating hoses or hood release cable. If necessary, you may drill a hole in the firewall at a place where there are no obstructions under the hood. Run the wire to the battery and remove the battery bolt screw and install it back into the bolt (see Figure 2.) Follow the same procedure for the negative terminal.

If you wish, you may have the unit professionally installed at a nominal fee by any garage specializing in automobile electrical services.

125 Battery Powered (12V DC)

